

VISION³ LIGHTING

Electronic Transformer **MODEL XM3** 120/230/277 VAC, 60/75/80/150W Electronic Transformers

Specifications:

60 & 80W versions

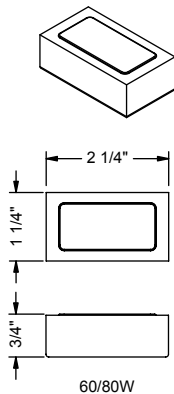
- Electronic circuitry epoxy sealed in an aluminum enclosure.
- Input: 60W - 120 VAC, 50/60 Hz.
80W - 120 or 277 VAC, 50/60 Hz.
- Output: 11.5 VAC
- Power factor: 60W > .90.
80W > .95.
- Ambient temperature range: -20°C to 50°C.
- Max. case temperature: 85°C.
- Minimum load: 60W - No minimum load.
80W - 5W minimum.
- Dimmable (120V version only).
- Soft start circuitry.
- Electronic short-circuit and overload protection.
- UL tested & certified to US and Canadian safety standards.

75W version

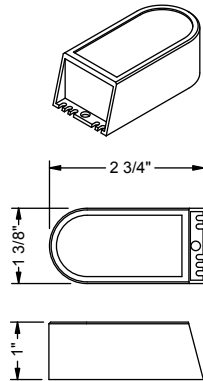
- Electronic circuitry encapsulated in a flame retardant plastic casing.
- 120, 230, or 277 VAC, 50/60 Hz input.
- 11.6 VAC output.
- Power factor > .93.
- THD < 20%.
- Operating frequency > 20 kHz.
- Class A insulation system.
- Operating temperature range of -15°C to 90°C.
- Minimum load of 10 Watts.
- Dimmable (120V version only). Minimum load of 40 Watts for proper functioning.
- For non short proof units, do not short output conductors.
- CSA & UL tested & certified to US and Canadian safety standards.

150W version

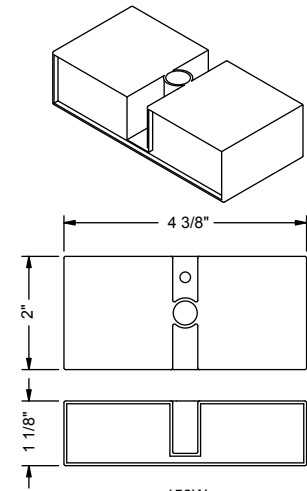
- Electronic circuitry encapsulated in a flame retardant plastic casing.
- 120 or 277 VAC, 50/60 Hz input.
- 11.6 VAC output.
- Power factor > .93.
- THD < 20%.
- Operating frequency > 20 kHz.
- Class A insulation system.
- Operating temperature range of -15°C to 90°C.
- Minimum load of 10 Watts.
- Dimmable (120V version only). Minimum load of 40 Watts for proper functioning.
- For non short proof units, do not short output conductors.
- CSA & UL tested & certified to US and Canadian safety standards.



60/80W



75W



150W



Ordering Information:

XM3		
Model	Wattage	Voltage
XM3 - Electronic Transformer	60 - 60W ^{1,2,3} 75 - 75W 80 - 80W ^{1,2} 150 - 150W ^{1,2}	120 - 120 Volts 120ND - 120 Volts, Non Dimmable ¹ 230 - 230 Volts ² 277 - 277 Volts ³

Electronic Transformer Compatibility Tips*

	120V	230V	277V
Halogen Lamp:	XM3-75-120 XM3-80-120 XM3-150-120	XM3-75-230	XM3-75-277 XM3-150-277
Retrofit LED 'drop in' Lamp:	Consult manufacturer of drop in LED for their recommendations.		
Vision3 4W LED Module:	XM3-60-120	Contact Vision3.	Contact Vision3.
Vision3 10W LED Module:	XM3-60-120	Contact Vision3.	Contact Vision3.
Vision3 12.5W LED Module:	XM3-60-120	Contact Vision3.	Contact Vision3.

* - Non-dimmed systems only. For systems using dimmers, contact Vision3 lighting.

Notes:

1. '120ND' Voltage option is not available with '60', '80', or '150' Wattage options.
2. '230' Voltage option is not available with '60', '80', or '150' Wattage options
3. '277' Voltage option is not available with '60' Wattage option.
4. Specifications, certifications, and ordering information are subject to change. Please check website for latest specification sheets.

Example: XM3 - 75 - 277