

VISION 3 LIGHTING

MR16 Dual Wall Mount **MODEL WM6** 12V 87W Max. total both lamps, Dual MR16 Halogens 12V 7.5W ea, 12/24V 10W ea., or 12V 12.5W ea., Dual LED

Specifications

Material

Available in machined 6061-T6 aluminum, C36000 brass, or 304 stainless steel.

Cap

Machined caps lock in place with 18-8 stainless steel set screws, and are sealed to the body with a high temperature silicone O-ring. Round C2 & C4 caps have drain holes for water drainage from top of lens. Square caps feature removable and field interchangeable cutoffs with 'flow-through' design for 360° drainage with no light leak. 'Flush Lens' cap styles incorporate a stepped lens to reduce the collection of water and debris on the lens.

Mount Canopy

Available with the following mount options: MO3 (Machined Round Canopy), MO15 (Machined Square Canopy), and MO12 (Surface Mount Powered Canopy). Stem is permanently attached to the mount canopy to prevent loosening. MO3 & MO15 mount options come mounted to a steel universal mounting ring for ease of mounting and adjustment on an industry standard round junction box. See mount specification sheets for more information. (Mount canopy must be mounted to an appropriate wall or junction box, in such a manner that is capable of holding the weight of the fixture. Junction box and hardware not included).

Finish

TGIC thermo set polyester powder coat paint available in 14 standard colors. On aluminum model, finish is applied over a corrosion resistant, hexavalent chromium free, RoHS compliant coating. Aluminum model available in one additional metal finish: Clear Anodized. Brass model available in three additional metal finishes: Natural, Polished, and Aged. Stainless steel model available in three additional metal finishes: Natural, Polished, and Brushed.

Socket

Two GY-6.35 porcelain sockets with 600V, 250°C, PTFE coated 18 ga leads.

Lens

Tempered, clear lenses, secured to caps with a high temperature, UV curing, silicone adhesive.

Lamps

MR16 Halogen: Two 12V bi-pin lamps up to 50W each (maximum allowable combined wattage depends on model and application. See **Certification** heading).
Integral LED: Two 12-24V AC/DC 10W or two 12V AC/DC 12.5W LED modules, each includes integral driver with High/Low switch for 35W/20W (10W) or 50W/35W (12.5W) halogen equivalent outputs. LED Modules are field replaceable and feature replaceable lenses, an L70 > 60,000 hrs., dynamic transformer recognition, phase

dimming (see Transformer and Dimmer Compatibility List), and patented LEDSense® thermal management.

Retrofit MR16 LED: Two 12V 7.5W bi-pin retrofit Soraa™ MR16 LED lamps with specially engineered heat sink mounts to ensure proper heat transfer to body. Note: Retrofit LED will overheat without supplied heat sink mount.

Certification

CSA tested & certified to US and Canadian safety standards for wet location wall mount use (UL1598):

MO12 Mount Options

- WM6A (w/o transformer) - 87W Max.*
- WM6A (w/ transformer) - 55W Max.*
- WM6B - 40W Max.*
- WM6S - not available.

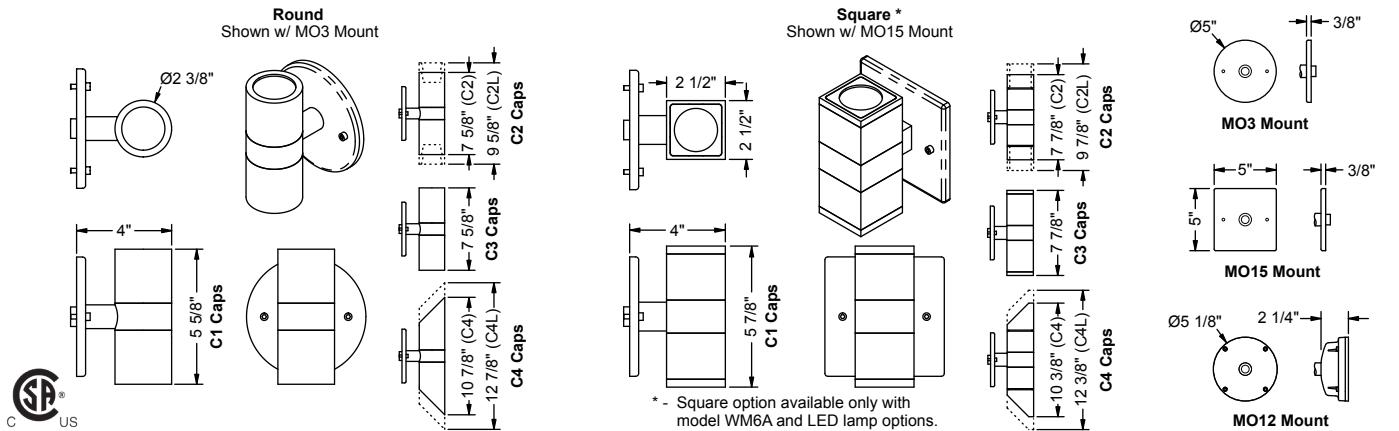
MO3 and MO15 Mount Options

- WM6A (remote transformer) - 55W Max.*
- WM6A (transformer in j-box) - 40W Max.*
- WM6B - 40W Max.*
- WM6S - 40W Max.*

* -maximum MR16 Halogen wattage total for both lamps.

LED options can be used in all models and applications.

All ratings subject to change without notice. See web site or contact V3 for most current info.



Ordering Information

Model	Shape	Cap Style ³	Mount ⁴	Lamp ³	Lens Accy ^{3,8}	Filter ^{3,8}	Louver ^{3,8}
WM6A - Aluminum	RND - Round	(Up/Down)	Remote Transformer Required:	(Up/Down)	(Up/Down)	(Up/Down)	(Up/Down)
WM6B - Brass ²	SQ - Square ^{1,2}	<u>Standard Lens:</u>	MO3 - Round Canopy	<u>Integral LED (3000K, >80 CRI):</u> ^{5,7,8}	0 - None	0 - None	0 - None
WM6S - Stainless ^{1,2}		C1 - Flush	MO15 - Square Canopy	116 - 10W, 12°	L1 - Spread	F4 - Green	H1 - Hex
		C2 - Regress Lens	MO12 - Surface Mount Canopy ¹	117 - 10W, 21°	L2 - Linear	F5 - Amber	
		C2L - Regress Lens, Long	<u>Integral Transformer:</u>	118 - 10W, 41°	L3 - Softening	F6 - Pink	
		C3 - Regress Lamp	MO12-75-120 - MO12 w/ 75W, 120V ¹	141 - 12.5W, 12°		F7 - Mercury	
		C4 - 45° Angled	MO12-75-230 - MO12 w/ 75W, 230V ^{1,5}	142 - 12.5W, 21°		Blue Vapor	
		C4L - 45° Angled, Long	MO12-75-277 - MO12 w/ 75W, 277V ^{1,5}	143 - 12.5W, 41°			
		<u>Flush Lens:</u>		147 - 7.5W, 10°			
		C1F - Flush		148 - 7.5W, 25°			
		C2F - Regress Lens		149 - 7.5W, 36°			
		C2LF - Regress Lens, Long					
		C3F - Regress Lamp		<u>MR16 Halogen:</u> ^{2,6}			
		C4F - 45° Angled		0 - None			
		C4LF - 45° Angled, Long		01 - ESX, 20W, 12°			
				02 - BAB, 20W, 40°			
				03 - FRB, 35W, 12°			
				04 - FRA, 35W, 23°			
				05 - FMW, 35W, 40°			
				09 - EXT, 50W, 13°			
				10 - EXZ, 50W, 26°			
				11 - EXN, 50W, 40°			
				12 - FNV, 50W, 60°			

- Notes:
- MO12 mount option not available with model WM6S or shape SQ.
 - SQ shape available with model WM6A and LED lamps only.
 - Specify Cap, Lamp, Lens Accy, Filter, and Louver options for the up and down position. See ordering example below.
 - See MO3, MO12, or MO15 specification sheet for mount details.
 - Only power LED options with V3 approved transformers. LED lamp options may not be compatible with MO12-75-230 and MO12-75-277 mounts. Contact V3 for mount, transformer, or dimmer compatibility info.
 - Allowable lamp wattage depends on model and mount. See **Certification** heading above.
 - Other LED color temperatures available as a special order.
 - Only two lens accessories can be used with Integral LED.
 - Use only approved Retrofit MR16 LED lamps and supplied heat sink mount, otherwise LED may overheat.
 - Specifications, certifications, and ordering information are subject to change. Please check website for latest specification sheets.

Example: **WM6A - SI - RND - C2F/C2 - MO15 - 01/01 - L1/0 - 0/0 - H1/0**