

VISION-3 LIGHTING

Metal Halide Wall Mount **MODEL WM5** 39 Watt Max., PAR20 Metal Halide 39 Watt Max., GU6.5 Base T4 Metal Halide

Specifications:

Material: Available in machined 6061-T6 aluminum or C36000 brass.

Cap: Machined caps come in seven styles, lock in place with one 18-8 stainless steel set screw, and are sealed to the body with a high temperature silicone O-ring. Regressed caps have drain holes for water drainage from top of lens if mounted in the up position. All caps accept up to three internal accessories, held in place by a stainless steel clip.

Mount Canopy: Available with the following mount options: MO3 (Machined Round Canopy), MO15 (Machined Square Canopy), MO12 & MO13 (Surface Mount Canopies), and BM6 & BM7 (Surface Mount Ballast Canopies); and may be mounted in the up or down position. Stem is permanently attached to the mount canopy to prevent loosening. MO3 & MO15 mount options come mounted to a steel universal mounting ring for ease of mounting and adjustment on an industry standard round junction box (box and hardware not supplied). See mount specification sheets for more information. (Mount canopy must be mounted to an appropriate wall or junction box, in such a manner that is capable of holding the weight of the fixture. Junction box and hardware not included).

Finish: TGIC thermo set polyester powder coat paint available in 14 standard colors. On aluminum model, finish is applied over a corrosion resistant, hexavalent chromium free, RoHS compliant coating. Aluminum model available in one additional metal finish: Clear Anodized. Brass model available

in three additional metal finishes: Natural, Polished, and Aged.

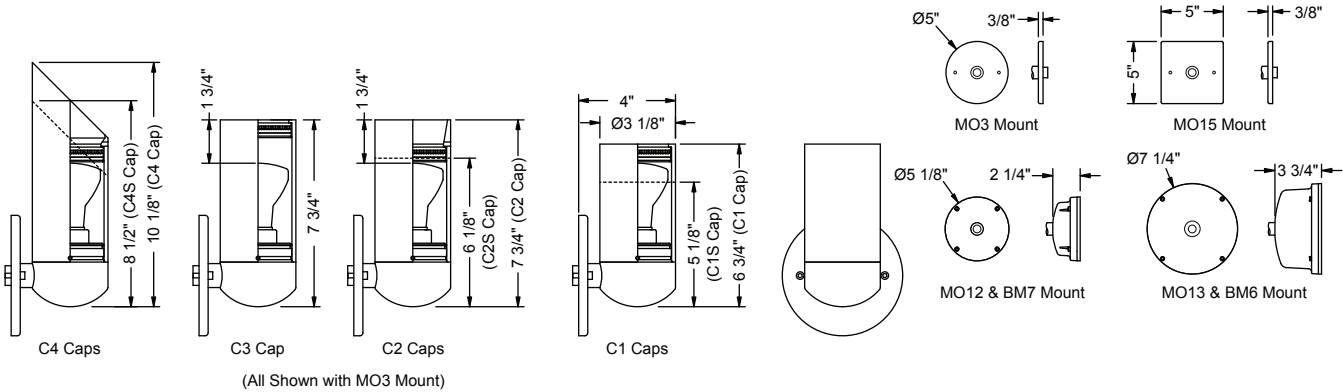
Socket: Medium base porcelain socket with nickel-plated copper contacts and 600V, 250° C, PTFE coated 18 ga leads (PAR20 lamps), or GU6.5 bi-pin porcelain socket with nickel-plated copper contacts and 600V, 250° C, PFA coated 18 ga leads (T4 lamps).

Lamp: Medium base PAR20 or GU6.5 base T4 Metal Halide lamp up to 39W. (Remote ballast is required, except with BM6 & BM7 mount options)

Lens: Tempered, clear lens, secured to cap with a high temperature, UV curing, silicone adhesive.

Certification: CSA tested & certified to US and Canadian safety standards per UL1598 & CSA C22.2 No. 250-08 for wet location wall mount use (must be mounted in such a manner to properly support the fixture). *

* - WM5B not rated for use with BM6-E-MH-39-120 or BM7-E-MH-20-120 mount options.



Ordering Information:

| Model | Finish | Cap ¹ | Lamp Type ³ | Lens Accy | Filter | Louver | Remote Ballast Catalog String |
|---------------------------|----------------------------------|--------------------|---|------------------------------|-----------------|-----------------------|---|
| WM5A - Aluminum | BL - Black | Standard: | PAR20MH - PAR20 MH | 0 - None | 0 - None | 0 - None | Fixture must be specified with one of the following remote ballasts, unless specified with a BM6 or BM7 mount option ³ : BM3 - In Ground Remote Ballast (39W only) ³ BM4 - Wall Mount Remote Ballast (20W & 39W) ³ |
| WM5B - Brass ⁴ | BLT - Textured Black | C1 - Flush | T4-SP - T4 MH w/ Spot Optics | L1 - Spread Lens | F1 - Red | H1 - Honeycomb Louver | |
| | BN - Bronze | C2 - Regress Lens | T4-NFL - T4 MH w/ Narrow Flood Optics | L2 - Linear Lens | F2 - Blue | | |
| | BNT - Textured Bronze | C3 - Regress Lamp | T4-FL - T4 MH w/ Flood Optics | L3 - Softening Lens | F3 - Light Blue | | |
| | BAT - Textured Bark | C4 - 45° Angled | | | F4 - Green | | |
| | WI - White | Short: | | | F5 - Amber | | |
| | GRT - Textured Green | C1S - Flush | Mount² | Lamp³ | F6 - Pink | | |
| | SI - Silver | C2S - Regress Lens | MO3 - Round Canopy | 0 - None | | | |
| | GY - Grey | C4S - 45° Angled | MO15 - Square Canopy | T4 Metal Halide: | | | |
| | BE - Beige | | MO12 - Surface Mount Canopy | 101 - 20W, CMH20T | | | |
| | GNT - Textured Granite | | MO13 - Surface Mount Canopy | 114 - 39W, CMH39T | | | |
| | SAT - Textured Sand | | Surface Mount Ballasts: | PAR20 Metal Halide: | | | |
| | PAT - Textured Patina | | BM6-E-MH-20-120 - 20W, 120V electronic ballast ³ | 32 - 39W, PAR20MH, 10° Spot | | | |
| | EAT - Textured Earth | | BM6-E-MH-39-120 - 39W, 120V electronic ballast ^{3,4} | 33 - 39W, PAR20MH, 30° Flood | | | |
| | CLA - Clear Anodized (WM5A only) | | BM6-M-MH-39-MT - 39W, multi-tap magnetic ballast ³ | | | | |
| | NAT - Natural (WM5B only) | | BM7-E-MH-20-120 - 20W, 120V electronic ballast ^{3,4} | | | | |
| | POL - Polished (WM5B only) | | | | | | |
| | AGE - Aged (WM5B only) | | | | | | |

- Notes:**
- 'Short' caps can only be used with T4MH lamps.
 - See MO3, MO12, MO13, MO15, BM6 or BM7 specification sheet for mount details.
 - See ballast submittal for specifications, limitations, and correct catalog number logic. Ballast type and wattage must match lamp type and wattage.
 - BM6-E-MH-39-120 & BM7-E-MH-20-120 mount options not available with WM5B.
 - Specifications, certifications, and ordering information are subject to change. Please check website for latest specification sheets.

Example: **WM5A - BL - C2 - MO15 - PAR20MH - 33 - L1 - F2 - 0 - Ballast Catalog String**