

Installation Instructions

INSTRUCTIONS PERTAINING TO A RISK OF FIRE, OR INJURY TO PERSONS.

IMPORTANT SAFETY INSTRUCTIONS. SAVE THESE INSTRUCTIONS.

(Failure to follow the warnings and instructions on this sheet could result in fire, injury, failure of product, and/or voiding of warranty.)

1. Do not touch luminaire while lamp is on. Turn off/unplug and allow to cool before replacing lamp.
2. Lamp gets HOT quickly! Contact only switch/plug when turning on.
3. Do not touch hot lens, body, cap, stem, or canopy.
4. Keep lamp away from materials that may burn.
5. Do not touch lamp at any time. Use a soft cloth. Oil from your skin may damage lamp.
6. Do not operate the luminaire with damaged or missing parts.
7. Do not disassemble luminaire beyond cap removal to facilitate lamp and/or accessory installation or replacement.
8. Remove any debris accumulated in the cap periodically.
9. Do not install luminaire within 10 feet of a pool, spa, or fountain.
10. Have fixture installed in accordance with all applicable installation codes and standards by a person familiar with the construction and operation of the fixture and the hazards involved.
11. Consult a qualified electrician to ensure correct branch circuit conductor.
12. Use only cable rated for the proper supply voltage.
13. Do not pull or hang from fixture! Damage or injury may occur.
14. **Must be used with an approved Vision3 Lighting ballast (ballast wattage and type must match lamp wattage and type).**
15. Failure to follow these instructions can cause fire, injury, and/or void warranty.

Installation

Note: The instructions below are for mounting WM5 models with flat plate canopy options, such as the MO3 (shown) or MO15. For models with surface mount canopy options (MO12, MO13, BM6, or BM7 mounts) refer to the mounts installation instruction for information specific to that mount. All instructions below concerning wiring, box mounting, and safety cable still apply.

1. Unpack the WM5 Wall Mount from its shipping container and inspect. Note: Brass fixtures, because of their weight, will include a Safety Cable to aide in installation and inspection.
2. Install and wire the Outlet Box (not included) per applicable standards and codes. Note: Brass WM5 models must be used with a 4" Sheet Metal Outlet Box that is flush mounted to a cross brace using lag screws in such a way that it will hold the weight of the fixture, as shown in the sketch below. A 9/32" clearance hole for the Cable Lag Screw (brass models only) should also be drilled in the back of the box before mounting, if one does not already exist.
3. (MO3 & MO15 mounts only) The Universal Mounting Ring must be removed before the luminaire can be mounted to the Outlet Box. Unscrew the two (2) Mount Screws with a 5/32" hex wrench to remove the Universal Mounting Ring.
4. (MO3 & MO15 mounts only) Mount the Universal Mounting Ring to the Outlet Box using appropriately sized Mounting Ring Screws (not supplied). Note: adjust the Universal Mounting Ring so the fixture will be properly oriented when mounted.
5. (Brass models only) Use the Cable Lag Screw to mount the Safety Cable to the Cross Brace. Use clearance hole in 4" box mentioned in step 2 above. Note: Safety cable must be lagged to a solid cross brace or stud, as shown.
6. Wire fixture leads to ballast leads. **Note:** The leads from this fixture should be attached to the output of an approved Vision3 ballast only, using appropriate connectors (not supplied) per applicable codes. If not being used on a BM6 or BM7 integral ballast mount, this fixture requires the use of a Vision3 Lighting remote ballast for its power source. For models that come with the safety cable, make sure that there is enough slack in the wiring so that the fixture can hang from the safety cable without stressing the wires.

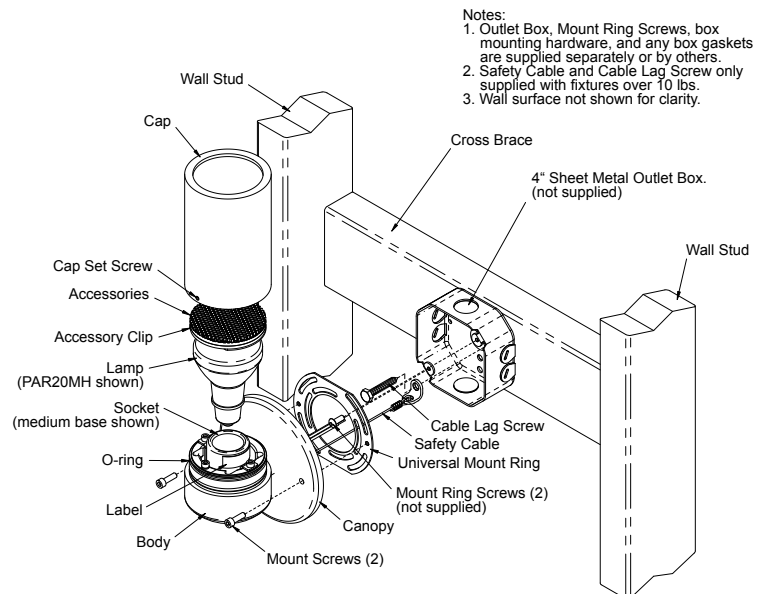
T4 lamp - the 'Lamp Shell' lead from the ballast can be connected to either white input lead on the T4 WM5 fixture. The remaining lead from the ballast can be attached to the remaining white input lead on the T4 WM5 fixture. The green fixture lead should be connected to ground.

PAR20 lamp - the 'Lamp Post' lead from the ballast should be connected to the blue input lead on the T4 WM5 fixture. The 'Lamp Shell' lead from the ballast should be connected to the white input lead on the T4 WM5 fixture. The green fixture lead should be connected to ground.

7. (MO3 & MO15 mounts only) Using the supplied Mount Screws, and a 5/32" hex wrench, mount the WM5 to the Universal Mounting Ring. Note: fixture may be mounted in the up or down position. Use a liquid thread locker (not supplied) to prevent mounting hardware from becoming loose.
8. (MO3 & MO15 mounts only) If the WM5 is not oriented correctly, remove, adjust the Universal Mounting Ring, and re-install.

Lamp Maintenance:

1. Remove power from fixture and let cool before touching. **Caution! Luminaire may still be hot!**
2. Loosen the Cap Set Screw using a 3/32" hex tool – **do not remove screw!**
3. Remove the Cap. Holding the Body and twisting the Cap while removing reduces the risk of damaging the O-ring.
4. Inspect O-ring for damage. Replace if necessary.
5. Remove lamp. **Caution! Lamp may still be hot! Be sure lamp has cooled before touching.**
T4 lamp - turn and unlock from the socket to remove.
PAR20 lamp - unthread lamp from socket and remove.
6. Inspect socket for any damage.
7. Clean inside of fixture and Cap with a clean dry cloth.



Notes:

1. Outlet Box, Mount Ring Screws, box mounting hardware, and any box gaskets are supplied separately or by others.
2. Safety Cable and Cable Lag Screw only supplied with fixtures over 10 lbs.
3. Wall surface not shown for clarity.

Installation Instructions

INSTRUCTIONS PERTAINING TO A RISK OF FIRE, OR INJURY TO PERSONS.

IMPORTANT SAFETY INSTRUCTIONS. SAVE THESE INSTRUCTIONS.

(Failure to follow the warnings and instructions on this sheet could result in fire, injury, failure of product, and/or voiding of warranty.)

8. Install new lamp:
T4 lamp - insert the pins of the new lamp in to the socket and turn to lock
PAR20 lamp - thread new lamp in to socket.
Note: Replacement lamp must not exceed ratings on the Label, and must match type and wattage of ballast.
9. Install Cap on fixture by pushing and twisting slowly. If O-ring is excessively dry, use a small amount of Krytox lubricant.
10. Tighten Cap Set Screw with the 3/32" hex tool so that is just bottoms out. **Do not over tighten the Cap Set Screw!** This may cause the fixture to not seal properly.

Accessory Maintenance:

1. Remove Cap as explained in Lamp Maintenance above.
2. Remove Accessory Clip from Cap.
3. Carefully remove Accessories.
4. Inspect Cap, Accessories, and Accessory Clip for damage. Replace if necessary.
5. Clean Cap and Accessories with a clean, damp cotton cloth.
6. Carefully install new Accessories (Cap may hold up to 3 Accessories).
7. Compress Accessory Clip and push into Cap until it holds Accessories tightly.
8. Install Cap as explained in Lamp Maintenance above.