

# VISION 3 LIGHTING

LED Wall Mount **MODEL WM2**  
100-277V 20W Max. LED w/ Integral Driver  
21W Max. COB LED

## Specifications

### Material

Available in machined 6061-T6 aluminum or C36000 brass with 18-8 stainless steel hardware.

### Cap

Machined cap locks in place with one 18-8 stainless steel set screw, and is sealed to the body with a high temperature silicone O-ring. Round C2 & C4 caps have drain holes for water drainage from top of lens. Square caps feature removable and field interchangeable cutoffs with 'flow-through' design for 360° drainage with no light leak.

### Mount Canopy

Available with the following mount options: MO3 (Machined Round Canopy), MO15 (Machined Square Canopy), and MO12 & MO13 (Surface Mount Powered Canopies); and may be mounted in the up or down position. Stem is permanently attached to the mount canopy to prevent loosening. MO3 & MO15 mount options come mounted to a steel universal mounting ring for ease of mounting and adjustment on an industry standard round junction box. See mount specification sheets for more information. (Mount canopy must be mounted to an appropriate wall or junction box, in such a manner that is capable of holding the weight of the fixture. Junction box and hardware not included).

### Finish

TGIC thermo set polyester powder coat paint available in 14 standard colors. On aluminum model, finish is applied over a corrosion resistant, hexavalent chromium free, RoHS compliant coating. Aluminum model available in one additional metal finish: Clear Anodized. Brass model available in three additional metal finishes: Natural, Polished, and Aged.

### LED

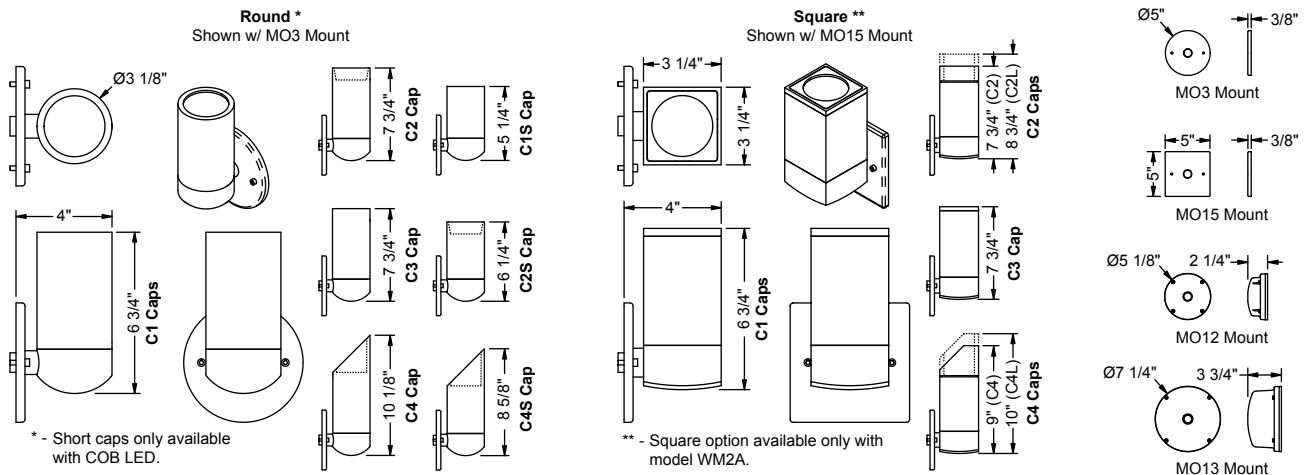
**Integral Driver LED:** 100 to 277 VAC (50/60 Hz) input, 20W max. power (17W@120V, 20W@277V). LED lamp features: integral driver, 1280 lm max output, 75 lm/W max efficacy, field changeable optics (15°, 23°, 35° & 51°), push button selection of light level (100%, 80%, 55% & 18%), 120-277V 0-10V dimming available at three highest (100%, 80%, 55%) light levels, 120V phase dimming at highest (100%) light level (see Dimmer Compatibility List), an L70 of 60,000 hrs., and patented LEDSense® thermal management to ensure reliability and lumen maintenance. Note: thermal management system may cause power input and light output to vary slightly depending on fixture material, orientation, lens accessories, mounting, and ambient temperature.

**COB LED:** COB LED package uses modular industry standard components to simplify future upgrades and includes features like: performance of 1800 lm, 16W max input (@350mA) or 2400 lm, 21W max input (@500mA), field replaceable optics (12°, 25°, 40° & 60°), and an L70 > 55,000 hrs. Note: requires Vision3 approved 350mA or 500mA constant current driver mount.

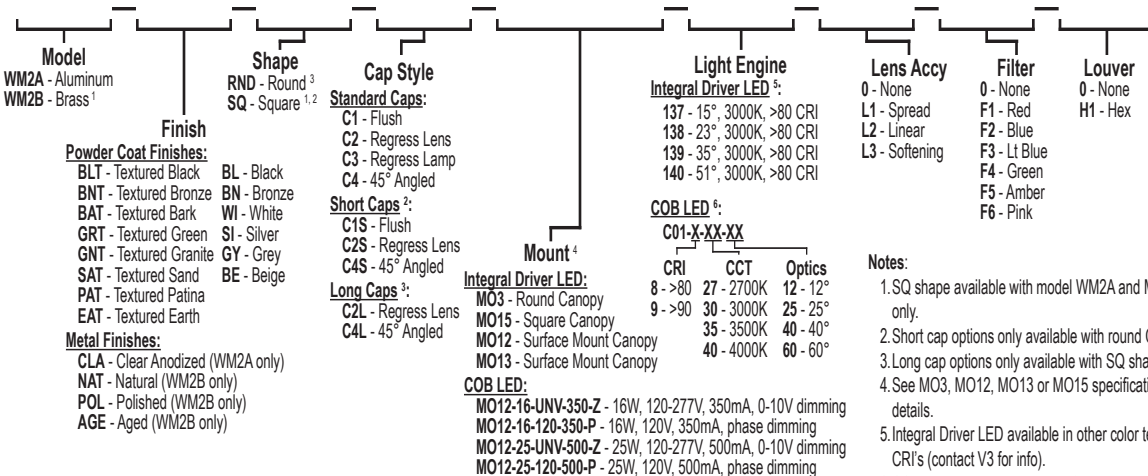
### Certification

CSA tested & certified to US and Canadian safety standards for wet location wall mount use (UL1598).

All ratings subject to change without notice. See web site or contact V3 for most current info.



## Ordering Information



- Notes:**
- SQ shape available with model WM2A and MO3 & MO15 mounts only.
  - Short cap options only available with round COB LED options.
  - Long cap options only available with SQ shape.
  - See MO3, MO12, MO13 or MO15 specification sheet for mount details.
  - Integral Driver LED available in other color temperatures and / or CRI's (contact V3 for info).
  - COB LED must be used with V3 approved constant current driver mount.
  - Specifications, certifications, and ordering information are subject to change. Please check website for latest specification sheets.

Example: **WM2A - BLT - RND - C3 - MO12-25-UNV-500-Z - C01-8-30-25 - L1 - F2 - 0**