

VISION 3 LIGHTING

LED Wall Mount **MODEL WM2** 100-277V 20W Max. LED w/ Integral Driver

Specifications

Material

Available in machined 6061-T6 aluminum or C36000 brass with 18-8 stainless steel hardware.

Cap

Machined cap locks in place with one 18-8 stainless steel set screw, and is sealed to the body with a high temperature silicone O-ring. Round C2 & C4 caps have drain holes for water drainage from top of lens. Square caps feature removable and field interchangeable cutoffs with 'flow-through' design for 360° drainage with no light leak.

Mount Canopy

Available with the following mount options: MO3 (Machined Round Canopy), MO15 (Machined Square Canopy), and MO12 & MO13 (Surface Mount Powered Canopies); and may be mounted in the up or down position. Stem is permanently attached to the mount canopy to prevent loosening. MO3 & MO15 mount options come mounted to a steel universal mounting ring for ease of mounting and adjustment on an industry standard round junction box. See mount specification sheets for more information. (Mount canopy must be mounted to an appropriate wall or junction box, in such a manner that is capable of holding the weight of the fixture. Junction box and hardware not included).

Finish

TGIC thermo set polyester powder coat paint available in 14 standard colors. On aluminum model, finish is applied over a corrosion resistant, hexavalent chromium free, RoHS compliant coating. Aluminum model available in one additional metal finish: Clear Anodized. Brass model available in three additional metal finishes: Natural, Polished, and Aged.

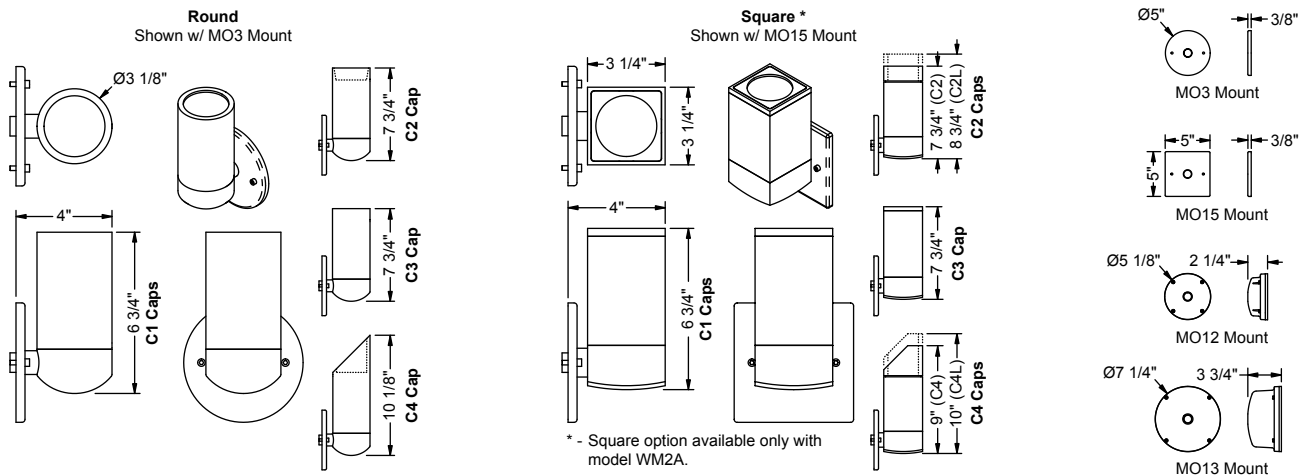
LED

100 to 277 VAC (50/60 Hz) input, 20W max. power (17W@120V, 20W@277V). LED lamp features: integral driver, up to 1280 lumen output, up to 75 lm/W efficacy, four different beam patterns (15°, 23°, 35° & 51°), field changeable optics, push button selection of 4 light levels (100%, 80%, 55% & 18%), 120-277V universal 0-10V dimming available at three highest (100%, 80%, 55%) light level settings, 120V phase dimming at highest (100%) light level setting (see Dimmer Compatibility List), an L70 of 60,000 hrs., and patented LEDSense® thermal management to ensure reliability and lumen maintenance. Note: thermal management system may cause power input and light output to vary slightly depending on fixture material, orientation, lens accessories, mounting, and ambient temperature.

Certification

CSA tested & certified to US and Canadian safety standards for wet location wall mount use (UL1598).

All ratings subject to change without notice. See web site or contact V3 for most current info.



Ordering Information

Model	Shape	Mount ²	Lens Accy	Filter	Louver
WM2A - Aluminum	RND - Round	MO3 - Round Canopy	0 - None	0 - None	0 - None
WM2B - Brass ¹	SQ - Square ¹	MO15 - Square Canopy	L1 - Spread	F1 - Red	H1 - Hex
		MO12 - Surface Mount Canopy ¹	L2 - Linear	F2 - Blue	
		MO13 - Surface Mount Canopy ¹	L3 - Softening	F3 - Lt Blue	
				F4 - Green	
				F5 - Amber	
				F6 - Pink	

Powder Coat Finishes:

- BLT - Textured Black
- BNT - Textured Bronze
- BAT - Textured Bark
- GRT - Textured Green
- GNT - Textured Granite
- SAT - Textured Sand
- PAT - Textured Patina
- EAT - Textured Earth
- BL - Black
- BN - Bronze
- WI - White
- SI - Silver
- GY - Grey
- BE - Beige

Metal Finishes:

- CLA - Clear Anodized (WM2A only)
- NAT - Natural (WM2B only)
- POL - Polished (WM2B only)
- AGE - Aged (WM2B only)

Cap Style

- C1 - Flush
- C2 - Regress Lens
- C2L - Regress Lens, Long (SQ only)
- C3 - Regress Lamp
- C4 - 45° Angled
- C4L - 45° Angled, Long (SQ only)

Lamp³

- 100-277V, 20W Max. LED:
- 137 - 15°, 3000K, >80 CRI
- 138 - 23°, 3000K, >80 CRI
- 139 - 35°, 3000K, >80 CRI
- 140 - 51°, 3000K, >80 CRI

Notes:

1. SQ shape available with model WM2A and MO3 & MO15 mounts only.
2. See MO3, MO12, MO13 or MO15 specification sheet for mount details.
3. LED lamp options available in other color temperatures and / or CRI's (contact V3 for info).
4. Specifications, certifications, and ordering information are subject to change. Please check website for latest specification sheets.

Example: **WM2A - BLT - RND - C3 - MO3 - 138 - L1 - F2 - 0**