

# VISION-3 LIGHTING

## MR16 Wall Mount **MODEL WM1** 12V 50W Max., MR16 Halogen 12V 7.5W, 12/24V 10W, or 12V 12.5W LED

### Specifications

#### Material

Available in machined 6061-T6 aluminum, C36000 brass, or 304 stainless steel.

#### Cap

Machined cap locks in place with one 18-8 stainless steel set screw, and is sealed to the body with a high temperature silicone O-ring. Round C2 & C4 caps have drain holes for water drainage from top of lens. Square caps feature removable and field interchangeable cutoffs with 'flow-through' design for 360° drainage with no light leak. 'Flush Lens' cap styles incorporate a stepped lens to reduce the collection of water and debris on the lens.

#### Mount Canopy

Available with the following mount options: MO3 (Machined Round Canopy), MO15 (Machined Square Canopy), and MO12 (Surface Mount Powered Canopy); and may be mounted in the up or down position. Stem is permanently attached to the mount canopy to prevent loosening. MO3 & MO15 mount options come mounted to a steel universal mounting ring for ease of mounting and adjustment on an industry standard round junction box. See mount specification sheets for more information. (Mount canopy must be mounted to an appropriate wall or junction box, in such a manner that is capable of holding the weight of the fixture. Junction box and hardware not included).

#### Finish

TGIC thermo set polyester powder coat paint available in 14 standard colors. On aluminum model, finish is applied over a corrosion resistant, hexavalent chromium free, RoHS compliant coating. Aluminum model available in one additional metal finish: Clear Anodized. Brass model available in three additional metal finishes: Natural, Polished, and Aged. Stainless steel model available in three additional metal finishes: Natural, Polished, and Brushed.

#### Socket

GY-6.35 porcelain socket with 600V, 250°C, PTFE coated 18 ga leads.

#### Lens

Tempered, clear lens, secured to cap with a high temperature, UV curing, silicone adhesive.

#### Lamps

**MR16 Halogen:** 12V bi-pin up to 50W (maximum allowable wattage depends on model and application. See **Certification** heading).

**Integral LED:** 12-24V AC/DC 10W or 12V AC/DC 12.5W LED options include integral driver with High/Low switch for 35W/20W (10W) or 50W/35W (12.5W) halogen equivalent outputs. LED Modules are field replaceable and feature replaceable lenses, an L70 > 60,000 hrs., dynamic transformer recognition, phase dimming (see Transformer

and Dimmer Compatibility List), and patented LEDSense® thermal management. Note: requires up to 13W (10W) or 15W (12.5W) at startup, which must be allowed for during system design.

**Retrofit MR16 LED:** 12V 7.5W bi-pin retrofit Soraa™ MR16 LED lamp with specially engineered heat sink mount to ensure proper heat transfer to body. Note: Retrofit LED will overheat without supplied heat sink mount.

#### Certification

CSA tested & certified to US and Canadian safety standards for wet location wall mount use (UL1598):

MO3 & MO15 mount options:

**WM1A - 50W Max. MR16 Halogen lamp.**

**WM1B - 37W Max. MR16 Halogen lamp.**

**WM1S - 20W Max. MR16 Halogen lamp.**

MO12 mount option:

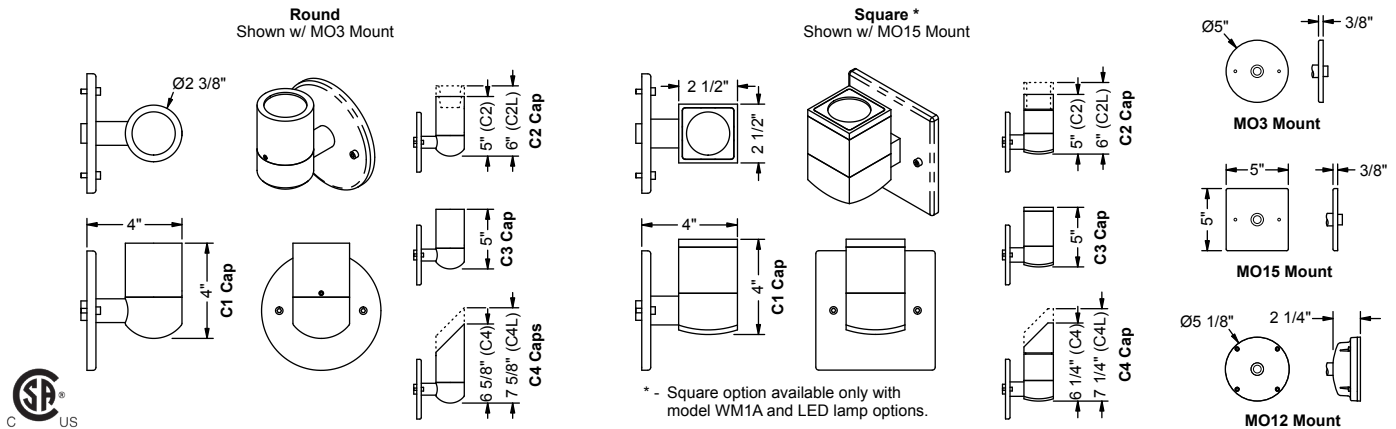
**WM1A - 50W Max. MR16 Halogen lamp.**

**WM1B - 42W Max. MR16 Halogen lamp.**

**WM1S - Not available.**

**LED options can be used in all models and applications.**

All ratings subject to change without notice. See web site or contact V3 for most current info.



### Ordering Information

Model	Shape	Cap Style	Mount <sup>3</sup>	Lamp	Lens Accy <sup>7</sup>	Filter <sup>7</sup>	Louver <sup>7</sup>
WM1A - Aluminum	RND - Round	<b>Standard Lens:</b>	<b>Remote Transformer Required:</b>	<b>Integral LED (3000K, &gt;80 CRI):</b> <sup>4,6,7</sup>	0 - None	0 - None	0 - None
WM1B - Brass <sup>2</sup>	SQ - Square <sup>1,2</sup>	C1 - Flush	MO3 - Round Canopy	116 - 10W, 12°	L1 - Spread	F1 - Red	H1 - Hex
WM1S - Stainless <sup>1,2</sup>		C2 - Regress Lens	MO15 - Square Canopy	117 - 10W, 21°	L2 - Linear	F2 - Blue	F6 - Pink
		C2L - Regress Lens, Long	MO12 - Surface Mount Canopy <sup>1</sup>	118 - 10W, 41°	L3 - Softening	F3 - Light Blue	F7 - Mercury Vapor
		C3 - Regress Lamp	<b>Integral Transformer:</b>	141 - 12.5W, 12°			
		C4 - 45° Angled	MO12-75-120 - MO12 w/ 75W, 120V <sup>1</sup>	142 - 12.5W, 21°			
		C4L - 45° Angled, Long	MO12-75-230 - MO12 w/ 75W, 230V <sup>1,4</sup>	143 - 12.5W, 41°			
		<b>Flush Lens:</b>	MO12-75-277 - MO12 w/ 75W, 277V <sup>1,4</sup>	118 - 10W, 41°			
		C1F - Flush		119 - 7.5W, 36°			
		C2F - Regress Lens		<b>MR16 Halogen:</b> <sup>2,5</sup>			
		C2LF - Regress Lens, Long		0 - None			
		C3F - Regress Lamp		01 - ESX, 20W, 12°			
		C4F - 45° Angled		02 - BAB, 20W, 40°			
		C4LF - 45° Angled, Long		03 - FRB, 35W, 12°			
				04 - FRA, 35W, 23°			
				05 - FMW, 35W, 40°			
				09 - EXT, 50W, 13°			
				10 - EXZ, 50W, 26°			
				11 - EXN, 50W, 40°			
				12 - FNV, 50W, 60°			

Example: **WM1B - AGE - RND - C3F - MO12-75-120 - 02 - 0 - F2 - H1**