

VISION 3 LIGHTING

LED Dual Sign Light **MODEL SL7** 100-277V 20W Max. ea., Dual LEDs w/ Integral Drivers

Specifications

Material

Machined 6061-T6 aluminum with 18-8 stainless steel hardware.

Head

Machined heads come in two styles: Side Mount and Rear Mount. (See illustration for aiming capabilities of each head.)

Stem

1" diameter machined stem comes in various stem lengths and three stem styles: Straight, 180° U-Bend, and 90° Gooseneck. (See illustration for calculating overall projection from wall for each stem style.)

Knuckle

A Rotate and Lock knuckle (protected under U.S. Patents #6,966,679, #7,108,405 and #7,458,552) mounts each head and allows for adjustability. Double taper design allows fixture to hold position during aiming and ensures a solid lock when tightened. LED models have molded silicone wire seals at knuckles to prevent water entry around wires.

Cap

Machined caps come in four styles, lock in place with one 18-8 stainless steel set screw, and are sealed to the body with a high temperature silicone O-ring. Regress Lens caps have drain holes for water drainage from top of lens if mounted in the up position. All caps accept up to three internal accessories, held in place by a stainless steel clip.

Mount Canopy

Available with the following mount options: MO3 (Machined Round Canopy), MO15 (Machined Square Canopy), and MO12 & MO13 (Surface Mount Powered Canopies). Stem is permanently attached to mount canopy using a 304 stainless steel threaded nipple to prevent loosening or sagging. See mount specification sheets for more information. (Mount canopy must be mounted

to an appropriate wall or junction box, in such a manner that is capable of holding the weight and torque created by the fixture. Junction box and hardware not included).

Finish

TGIC thermo set polyester powder coat paint available in 14 standard colors. Finish is applied over a corrosion resistant, hexavalent chromium free, RoHS compliant coating. Also available in one additional metal finish: Clear Anodized.

Lens

Each cap contains a 1/8" thick tempered, clear lens, secured with a high temperature, UV curing, silicone adhesive.

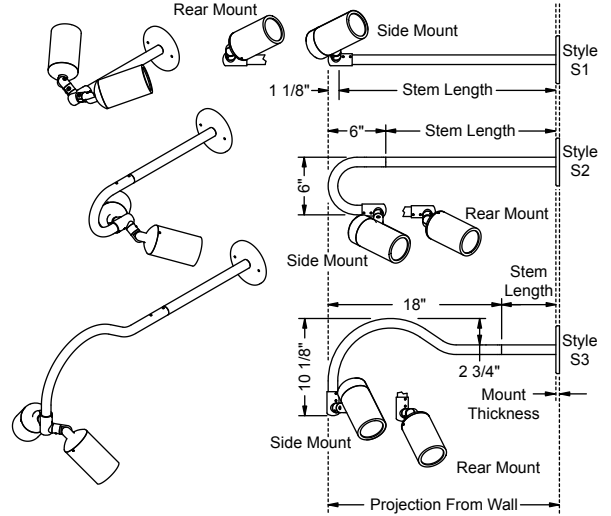
LED's

Dual LED's with 100 to 277 VAC (50/60 Hz) input and 20W max. power each (17W@120V, 20W@277V). Each LED features: integral driver, up to 1280 lumen output, up to 75 lm/W efficacy, four different beam patterns (15°, 23°, 35° & 51°), field changeable optics, push button selection of 4 light levels (100%, 80%, 55% & 18%), 120-277V universal 0-10V dimming available at three highest (100%, 80%, 55%) light level settings, 120V phase dimming at highest (100%) light level setting (see Dimmer Compatibility List), an L70 of 60,000 hrs., and patented LEDSense® thermal management to ensure reliability and lumen maintenance. Note: thermal management system may cause power input and light output to vary slightly depending on fixture material, orientation, lens accessories, mounting, and ambient temperature.

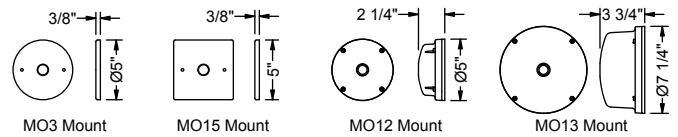
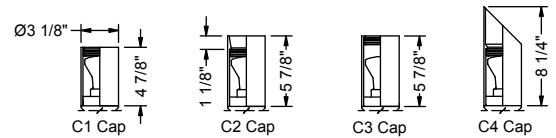
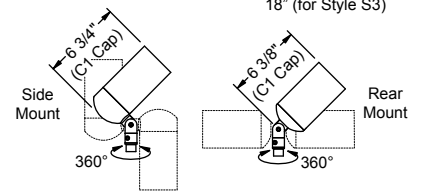
Certification

CSA tested & certified to US and Canadian safety standards for wet location wall mount use per UL1598 (Must be mounted in such a manner to properly support the fixture).

All ratings subject to change without notice. See web site or contact V3 for most current info.



Projection From Wall = Stem Length + Mount Thickness + 1 1/8" (for Style S1)
6" (for Style S2)
18" (for Style S3)



Ordering Information

SL7A									
Model	Finish	Head	Cap	Stem ¹	Mount ²	Lamp ³	Lens Accy	Filter	Louver
SL7A	Powder Coat Finishes: BL - Black BLT - Textured Black BN - Bronze BNT - Textured Bronze BAT - Textured Bark WI - White GRT - Textured Green SI - Silver GY - Grey BE - Beige GNT - Textured Granite SAT - Textured Sand PAT - Textured Patina EAT - Textured Earth Metal Finishes: CLA - Clear Anodized	SM - Side Mount RM - Rear Mount	C1 - Flush C2 - Regress Lens C3 - Regress Lamp C4 - 45° Angled	6 - 6" Stem 12 - 12" Stem 18 - 18" Stem 24 - 24" Stem 30 - 30" Stem 36 - 36" Stem 42 - 42" Stem	MO3 - Round Canopy MO15 - Square Canopy MO12 - Surface Mount Canopy MO13 - Surface Mount Canopy	100-277V, 20W Max. LED (ea): 137 - 15°, 3000K, >80 CRI 138 - 23°, 3000K, >80 CRI 139 - 35°, 3000K, >80 CRI 140 - 51°, 3000K, >80 CRI	0 - None L1 - Spread L2 - Linear L3 - Softening	0 - None F1 - Red F2 - Blue F3 - Lt. Blue F4 - Green F5 - Amber F6 - Pink	0 - None H1 - Hex
				Style S1 - Straight S2 - 180° U-Bend (available with 12" up to 36" stem option) S3 - 90° Gooseneck (available with up to 24" stem option)					

Notes:

- Other stem lengths are available upon request. Consult your Vision3 Lighting sales representative.
- See MO3, MO12, MO13, or MO15 specification sheet for mount details.
- LED lamp options available in other color temperatures and / or CRI's (contact V3 for info).
- Specifications, certifications, and ordering information are subject to change. Please check website for latest specification sheets.

Example: **SL7A - BN - SM - C1 - S3 - 6 - MO3 - 137 - L1 - 0 - 0**