

VISION 3 LIGHTING

LED Sign Light MODEL SL2 100-277V 20W Max. LED w/ Integral Driver 21W Max. COB LED

Specifications

Material

Machined 6061-T6 aluminum with 18-8 stainless steel hardware.

Head

Machined head comes in two styles: Side Mount and Rear Mount. (See illustration for aiming capability of each head style.)

Stem

1" diameter machined stem comes in various stem lengths and three stem styles: Straight, 180° U-Bend, and 90° Gooseneck. (See illustration for calculating overall projection from wall for each stem style.)

Knuckle

Rotate and Lock knuckle (protected under U.S. Patents #6,966,679, #7,108,405 and #7,458,552) mounts the head to the stem and allows for adjustability. Double taper design allows fixture to hold position during aiming and ensures a solid lock when tightened. LED models have a molded silicone wire seal to prevent water entry at knuckle.

Cap

Machined caps come in seven styles, lock in place with one 18-8 stainless steel set screw, and are sealed to the body with a high temperature silicone O-ring. Regress Lens caps have drain holes for water drainage from top of lens if mounted in the up position. All caps accept up to three internal accessories, held in place by a stainless steel clip.

Mount Canopy

Available with the following mount options: MO3 (Machined Round Canopy), MO15 (Machined Square Canopy), and MO12 (Surface Mount Canopy). Stem is permanently attached to mount canopy using a 304 stainless steel threaded nipple to prevent loosening or sagging. See mount specification sheets for more information. (Mount canopy must be mounted to an appropriate wall or junction box, in such a manner that is capable of holding the weight and torque created by the fixture. Junction box and hardware not included.)

Finish

TGIC thermo set polyester powder coat paint available in 14 standard colors. Finish is applied over a corrosion resistant, hexavalent chromium free, RoHS compliant coating. Also available in one additional metal finish: Clear Anodized.

Lens

1/8" thick, tempered, clear lens, secured to cap with a high temperature, UV curing, silicone adhesive.

LED

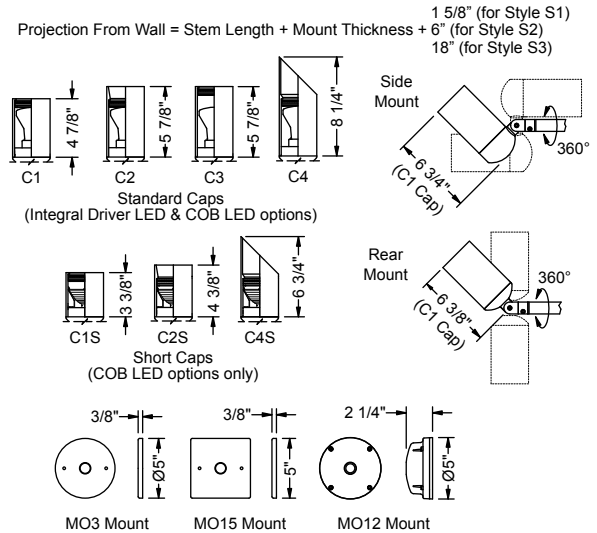
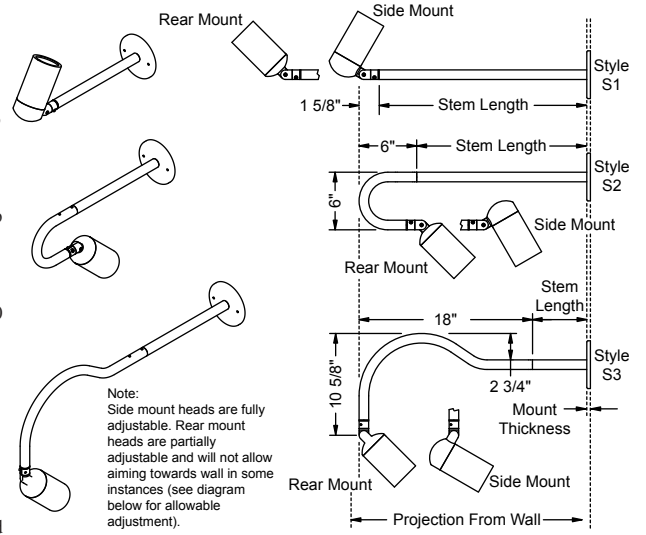
Integral Driver LED: 100 to 277 VAC (50/60 Hz) input, 20W max. power (17W@120V, 20W@277V). LED lamp features: integral driver, 1280 lm max output, 75 lm/W max efficacy, field changeable optics (15°, 23°, 35° & 51°), push button selection of light level (100%, 80%, 55% & 18%), 120-277V 0-10V dimming available at three highest (100%, 80%, 55%) light levels, 120V phase dimming at highest (100%) light level (see Dimmer Compatibility List), an L70 of 60,000 hrs., and patented LEDSense® thermal management to ensure reliability and lumen maintenance. Note: thermal management system may cause power input and light output to vary slightly depending on fixture material, orientation, lens accessories, mounting, and ambient temperature.

COB LED: COB LED package uses modular industry standard components to simplify future upgrades and includes features like: performance of 1800 lm, 16W max input (@350mA) or 2400 lm, 21W max input (@500mA), field replaceable optics (12°, 25°, 40° & 60°), and an L70 > 55,000 hrs. Note: requires Vision3 approved 350mA or 500mA constant current driver mount.

Certification

CSA tested & certified to US and Canadian safety standards for wet location wall mount use per UL1598.

All ratings subject to change without notice. See web site or contact V3 for most current info.



Ordering Information

Model	Finish	Head	Cap Style	Stem	Mount	Light Engine	Lens Accy	Filter	Louver
SL2A		SM - Side Mount RM - Rear Mount ¹	Standard Caps: C1 - Flush C2 - Regress Lens C3 - Regress Lamp C4 - 45° Angled Short Caps: C1S - Flush C2S - Regress Lens C4S - 45° Angled	6 - 6" Stem 12 - 12" Stem 18 - 18" Stem 24 - 24" Stem 30 - 30" Stem 36 - 36" Stem 42 - 42" Stem 48 - 48" Stem	Integral Driver LED: MO3 - Round Canopy MO15 - Square Canopy MO12 - Surface Mount Canopy COB LED: MO12-16-UNV-350-Z - 16W, 120-277V, 350mA, 0-10V dimming MO12-16-120-350-P - 16W, 120V, 350mA, phase dimming MO12-25-UNV-500-Z - 25W, 120-277V, 500mA, 0-10V dimming MO12-25-120-500-P - 25W, 120V, 500mA, phase dimming	Integral Driver LED²: 137 - 15°, 3000K, >80 CRI 138 - 23°, 3000K, >80 CRI 139 - 35°, 3000K, >80 CRI 140 - 51°, 3000K, >80 CRI COB LED²: C01-X-XX-XX CRI CCT Optics 8 - >80 27 - 2700K 12 - 12° 9 - >90 30 - 3000K 25 - 25° 35 - 3500K 40 - 40° 40 - 4000K 60 - 60°	0 - None L1 - Spread L2 - Linear L3 - Softening	0 - None F1 - Red F2 - Blue F3 - Lt. Blue F4 - Green F5 - Amber F6 - Pink	0 - None H1 - Hex

- Notes:**
- Rear Mount head has limited adjustability and will not aim back towards the wall when on an S1 Style stem. See spec. sheet illustration for aiming capability of each head style.
 - Short cap options only available with COB LED options.
 - Other stem lengths are available upon request. Consult your Vision3 Lighting sales representative.
 - See MO3, MO12, or MO15 specification sheet for mount details.
 - Integral Driver LED available in other color temperatures and / or CRI's (contact V3 for info).
 - COB LED must be used with V3 approved constant current driver mount.
 - Specifications, certifications, and ordering information are subject to change. Please check website for latest specification sheets.

Example: SL2A - BN - SM - C3 - S3 - 24 - MO12-16-120-350-P - C01-8-30-25 - L1 - 0 - 0