

# VISION-3 LIGHTING

## MR16 Bollard Path Light **MODEL PA7** 12V 50W Max., MR16 Halogen 12V 7.5W, 12/24V 6W, or 12V 10W LED

### Specifications

#### Body

Thick walled cast C84400 bronze housing attaches to mount base using black oxide coated 18-8 stainless steel hardware.

#### Mount Base

Machined C36000 brass mount base comes in two styles: Surface Mount and Stake Mount.

#### Faceplate

Cast C84400 bronze faceplate is pressed on to a machined, black anodized, 6061-T6 aluminum cap, which is attached to the lamp holder (see below). Seal between cap and faceplate is a high temperature silicone O-ring. A 1/8" thick, tempered, clear lens, is secured to the faceplate with a high temperature, UV curing, silicone adhesive for a water tight seal. The faceplate accepts two internal lens accessories, held in place by a stainless steel clip.

#### Cutoff Cover

Cast C84400 bronze cover comes in two cutoffs. A 1/8" thick, Ø2 1/2" spread lens is secured to the cover and allows maximum light output and distribution. The cover is mounted to the faceplate using three 1-8 stainless steel set screws. The cover can be mounted on the faceplate and rotated to align, as desired.

#### Lamp Holder

The machined 6061-T6 aluminum, black anodized lamp holder contains the socket and lamp, and attaches to the faceplate cap using one 18-8 stainless steel set screw.

#### Finish

TGIC thermo set polyester powder coat paint available in 14 standard colors. Available in two additional metal finishes: Natural and Aged.

#### Socket

GY-6.35 porcelain socket with 600V, 250°C, PTFE coated 18 ga leads.

#### Lamps

**MR16 Halogen:** 12V bi-pin up to 50W (See Certification heading).

**Integral LED:** 12-24V AC/DC 6W (400lm) or 12V AC/DC 10W (700lm) LED options include integral driver with High/Low switch for 35W/20W (6W) or 50W/35W (10W) halogen equivalent outputs. LED Modules are field replaceable and feature replaceable lenses, an L70 > 60,000 hrs., dynamic transformer recognition, phase dimming (see Transformer and Dimmer Compatibility List), and patented LEDSense® thermal management.

**Retrofit MR16 LED:** 12V 7.5W (600lm) bi-pin retrofit Soraa™ MR16 LED lamp with specially engineered heat

sink mount to ensure proper heat transfer to body.

#### Certification

CSA tested & certified to US and Canadian safety standards for the following applications:

Wet location landscape use (UL1838):

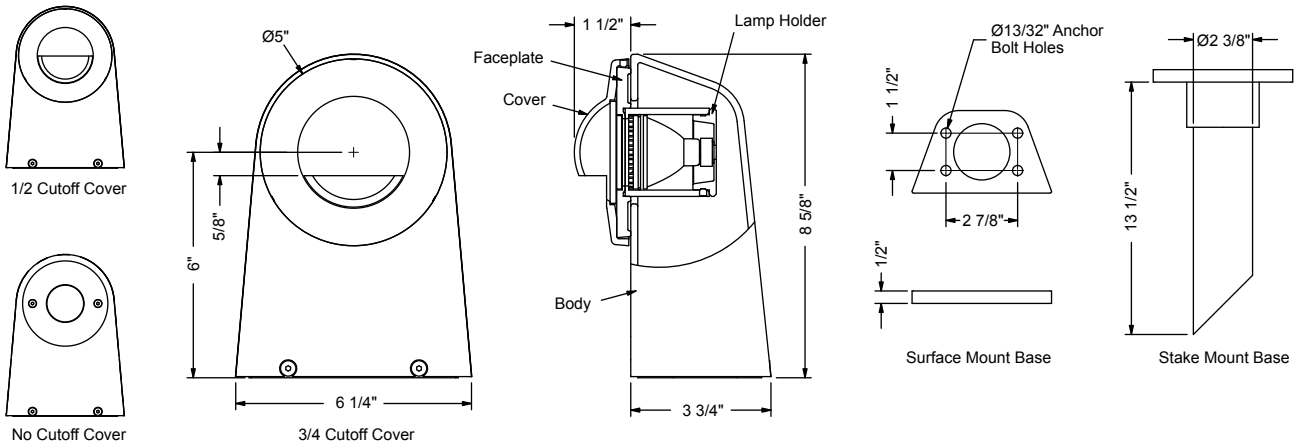
**PA7B - 50W Max. MR16 Halogen lamp.**

**Caution!** - Higher wattage lamps may be unacceptable or harmful in certain applications. Consult the surface temperature table below before choosing a lamp suitable for your application.

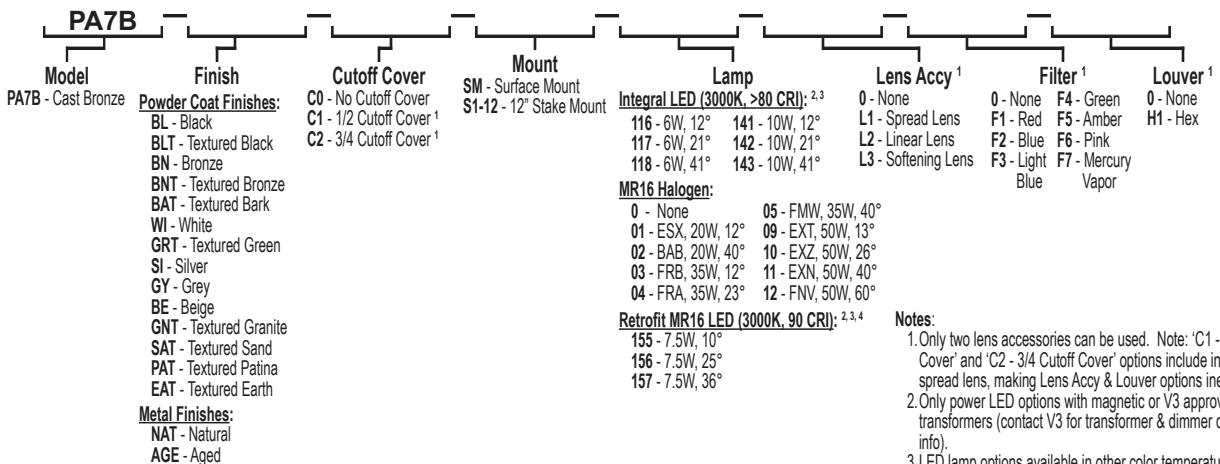
**LED options can be used in all models and applications.**

All ratings subject to change without notice. See website or contact V3 for most current info.

Lamp	Approximate Max. Surface Temperature
50W MR16	105°C / 221°F
42W MR16	100°C / 212°F
35W MR16	90°C / 194°F
20W MR16	70°C / 158°F
LED	45°C / 113°F



### Ordering Information



#### Notes:

- Only two lens accessories can be used. Note: 'C1 - 1/2 Cutoff Cover' and 'C2 - 3/4 Cutoff Cover' options include in integral spread lens, making Lens Accy & Louver options ineffective.
- Only power LED options with magnetic or V3 approved electronic transformers (contact V3 for transformer & dimmer compatibility info).
- LED lamp options available in other color temperatures and / or CRI's (contact V3 for info).
- Use only approved Retrofit MR16 LED lamps and supplied heat sink mount, otherwise LED may overheat.
- Specifications, certifications, and ordering information are subject to change. Please check website for latest specification sheets.

Example: **PA7B - NAT - C1 - SM - 05 - 0 - F2 - 0**