

VISION-3 LIGHTING

MR16 Bollard Path Light **MODEL PA7** 12V 50W Max., MR16 Halogen 12V 7.5W, 12/24V 10W, or 12V 12.5W LED

Specifications

Body

Thick walled cast C84400 bronze housing attaches to mount base using black oxide coated 18-8 stainless steel hardware.

Mount Base

Machined C36000 brass mount base comes in two styles: Surface Mount and Stake Mount.

Faceplate

Cast C84400 bronze faceplate is pressed on to a machined, black anodized, 6061-T6 aluminum cap, which is attached to the lamp holder (see below). Seal between cap and faceplate is a high temperature silicone O-ring. A 1/8" thick, tempered, clear lens, is secured to the faceplate with a high temperature, UV curing, silicone adhesive for a water tight seal. The faceplate accepts two internal lens accessories, held in place by a stainless steel clip.

Cutoff Cover

Cast C84400 bronze cover comes in two cutoffs. A 1/8" thick, Ø 1/2" spread lens is secured to the cover and allows maximum light output and distribution. The cover is mounted to the faceplate using three 18-8 stainless steel set screws. The cover can be mounted on the faceplate and rotated to align, as desired.

Lamp Holder

The machined 6061-T6 aluminum, black anodized lamp holder contains the socket and lamp, and attaches to the faceplate cap using one 18-8 stainless steel set screw.

Finish

TGIC thermo set polyester powder coat paint available in 14 standard colors. Available in two additional metal finishes: Natural and Aged.

Socket

GY-6.35 porcelain socket with 600V, 250°C, PTFE coated 18 ga leads.

Lamps

MR16 Halogen: 12V bi-pin up to 50W (See Certification heading).

Integral LED: 12-24V AC/DC 10W or 12V AC/DC 12.5W LED options include integral driver with High/Low switch for 35W/20W (10W) or 50W/35W (12.5W) halogen equivalent outputs. LED Modules are field replaceable and feature replaceable lenses, an L70 > 60,000 hrs., dynamic transformer recognition, phase dimming (see Transformer and Dimmer Compatibility List), and patented LEDSense® thermal management. Note: requires up to 13W (10W) or 15W (12.5W) at startup, which must be allowed for during system design.

Retrofit MR16 LED: 12V 7.5W bi-pin retrofit Soraa™ MR16 LED lamp with specially engineered heat sink mount to ensure proper heat transfer to body. Note: Retrofit LED will overheat without supplied heat sink mount.

Certification

CSA tested & certified to US and Canadian safety standards for the following applications:

Wet location landscape use (UL1838):

PA7B - 50W Max. MR16 Halogen lamp.

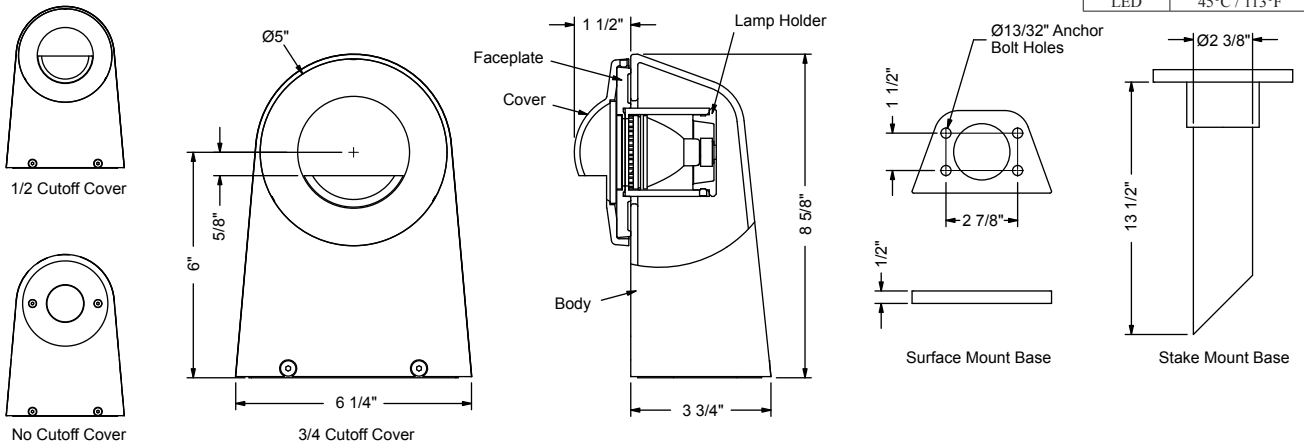
Caution! - Higher wattage lamps may be unacceptable or harmful in certain applications.

Consult the surface temperature table below before choosing a lamp suitable for your application.

LED options can be used in all models and applications.

All ratings subject to change without notice. See web site or contact V3 for most current info.

Lamp	Approximate Max. Surface Temperature
50W MR16	105°C / 221°F
42W MR16	100°C / 212°F
35W MR16	90°C / 194°F
20W MR16	70°C / 158°F
LED	45°C / 113°F



Ordering Information

PA7B								
Model	Finish	Cutoff Cover	Mount	Lamp		Lens Accy ¹	Filter ¹	Louver ¹
PA7B - Cast Bronze	Powder Coat Finishes: BL - Black BLT - Textured Black BN - Bronze BNT - Textured Bronze BAT - Textured Bark WI - White GRT - Textured Green SI - Silver GY - Grey BE - Beige GNT - Textured Granite SAT - Textured Sand PAT - Textured Patina EAT - Textured Earth Metal Finishes: NAT - Natural AGE - Aged	C0 - No Cutoff Cover C1 - 1/2 Cutoff Cover ¹ C2 - 3/4 Cutoff Cover ¹	SM - Surface Mount S1-12 - 12" Stake Mount	Integral LED (3000K, >80 CRI): ^{2,3} 116 - 10W, 12° 141 - 12.5W, 12° 117 - 10W, 21° 142 - 12.5W, 21° 118 - 10W, 41° 143 - 12.5W, 41° MR16 Halogen: 0 - None 05 - FMW, 35W, 40° 01 - ESX, 20W, 12° 09 - EXT, 50W, 13° 02 - BAB, 20W, 40° 10 - EXZ, 50W, 26° 03 - FRB, 35W, 12° 11 - EXN, 50W, 40° 04 - FRA, 35W, 23° 12 - FNV, 50W, 60° Retrofit MR16 LED (3000K, 95 CRI): ^{2,3,4} 147 - 7.5W, 10° 148 - 7.5W, 25° 149 - 7.5W, 36°	0 - None L1 - Spread Lens L2 - Linear Lens L3 - Softening Lens	0 - None F1 - Red F2 - Blue F3 - Light Blue F4 - Green F5 - Amber F6 - Pink F7 - Mercury Vapor	0 - None H1 - Hex	

Notes:

- Only two lens accessories can be used. Note: 'C1 - 1/2 Cutoff Cover' and 'C2 - 3/4 Cutoff Cover' options include in integral spread lens, making Lens Accy & Louver options ineffective.
- Only power LED options with magnetic or V3 approved electronic transformers (contact V3 for transformer & dimmer compatibility info).
- LED lamp options available in other color temperatures and / or CRI's (contact V3 for info).
- Use only approved Retrofit MR16 LED lamps and supplied heat sink mount, otherwise LED may overheat.
- Specifications, certifications, and ordering information are subject to change. Please check website for latest specification sheets.

Example: **PA7B - NAT - C1 - SM - 05 - 0 - F2 - 0**