

VISION·3

LIGHTING

MR16 Dual Staff Light **MODEL PA16**

12V 50W Max. ea., Dual MR16 Halogen
12V 7.5W ea, 12/24V 10W ea., or 12V 12.5W ea., Dual LED

Specifications

Material

Available in machined 6061-T6 aluminum with 18-8 stainless steel hardware.

Head

Machined heads come in two styles: Side Mount and Rear Mount. (See illustration for aiming capability of each head style.)

Stem

1" diameter machined stem comes in various stem lengths. Maximum allowable stem length depends on mount option (see **Ordering Information**). Soil type and installation manner may limit safe stem length further. To prevent fixture from toppling over, these factors must be taken into account when choosing stem length or mount type.

Knuckle

A Rotate and Lock knuckle (protected under U.S. Patents #6,966,679, #7,108,405 and #7,458,552) mounts each head and allows for adjustability. Double taper design allows fixture to hold position during aiming and ensures a solid lock when tightened. Integral LED models have molded silicone wire seals to prevent water entry at knuckles.

Cap

Machined caps lock in place with one 18-8 stainless steel set screw, and are sealed to the body with a high temperature silicone O-ring. Regress Lens caps have drain holes for water drainage from top of lens if mounted in the up position. 'Flush Lens' cap styles incorporate a stepped lens to reduce the collection of water and debris on the lens. All caps accept up to three internal accessories, held in place by a stainless steel clip.

Finish

TGIC thermo set polyester powder coat paint available in 14 standard colors. On aluminum model, finish is applied over a corrosion resistant, hexavalent chromium free, RoHS compliant coating. Also available in one additional metal finish: Clear Anodized.



Lens

Tempered, clear lenses, secured to caps with a high temperature, UV curing, silicone adhesive.

Socket

Two GY-6.35 porcelain sockets with 600V, 250°C, PTFE coated 18 ga leads.

Lamps

MR16 Halogen: Two 12V bi-pin lamps up to 50W each.

Integral LED: Two 12-24V AC/DC 10W or two 12V AC/DC 12.5W LED modules, each includes integral driver with High/Low switch for 35W/20W (10W) or 50W/35W (12.5W) halogen equivalent outputs. LED Modules are field replaceable and feature replaceable lenses, an L70 > 60,000 hrs., dynamic transformer recognition, phase dimming (see Transformer and Dimmer Compatibility List), and patented LEDSense® thermal management.

Retrofit MR16 LED: Two 12V 7.5W bi-pin retrofit Soraa™ MR16 LED lamps with specially engineered heat sink mounts to ensure proper heat transfer to body. Note: Retrofit LED will overheat without supplied heat sink mount.

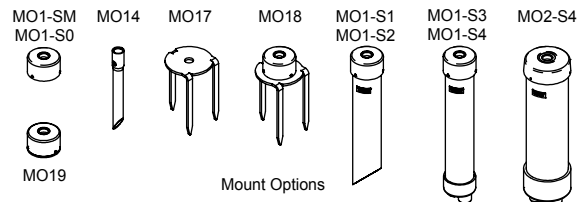
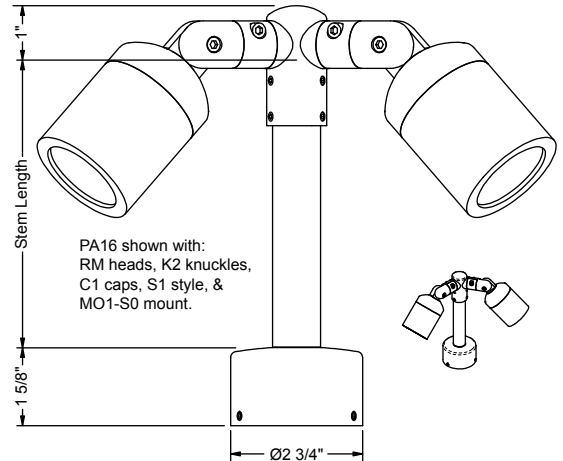
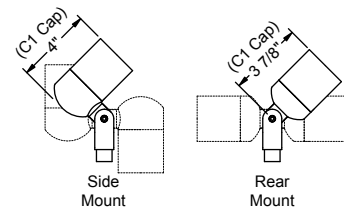
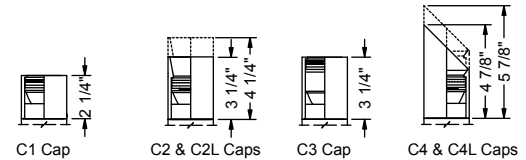
Electrical

MO1-S3 mount options include a 75VA, 11.6V output, electronic transformer in 120V, 230V, or 277V input. Max. combined lamp wattage can not exceed 75W when using MO1-S3 mount options. All other mount options supplied with 24" of 16-2 cable beyond stem for connection to a remote low voltage power supply.

Certification

CSA tested & certified to US and Canadian safety standards for wet location landscape use per UL1838 (except for 230V option). Must be mounted in such a manner to properly support the fixture.

All ratings subject to change without notice. See web site or contact V3 for most current info.



Ordering Information

PA16A	Model	Head	Knuckle	Style	Mount ¹	Input Voltage	Lamp	Lens Accy ⁵	Filter ⁵	Louver ⁵										
PA16A - Aluminum	SM - Side Mount RM - Rear Mount	K2 - Rotate & Lock	S1 - Straight	Mount ¹	SN - Nipple Only (No Mount & No Cap) ²	12 - 12V 120 - 120V ³ 230 - 230V ^{3,7} 277 - 277V ^{3,7}	Integral LED (3000K, >80 CRI): ^{5,6,7} 116 - 10W, 12° 141 - 12.5W, 12° 117 - 10W, 21° 142 - 12.5W, 21° 118 - 10W, 41° 143 - 12.5W, 41° Retrofit MR16 LED (3000K, 95 CRI): ^{6,7,8} 147 - 7.5W, 10° 148 - 7.5W, 25° 149 - 7.5W, 36°	0 - None L1 - Spread L2 - Linear L3 - Softening	0 - None F4 - Green F5 - Amber F6 - Pink F7 - Mercury F8 - Vapor	0 - None H1 - Hex										
Powder Coat Finishes:	Cap Style	Stem	SN	MO1-S0	MO1-SM	MO1-S1-12	MO1-S1-18	MO1-S2-12	MO1-S2-18	MO1-S2-24	MO1-S3-12	MO1-S3-18	MO1-S4-12	MO1-S4-18	MO2-S4-12	MO14	MO17	MO18	MO19	
BL - Black BLT - Textured Black BN - Bronze BNT - Textured Bronze BAT - Textured Bark WI - White GRT - Textured Green SI - Silver GY - Grey BE - Beige GNT - Textured Granite SAT - Textured Sand PAT - Textured Patina EAT - Textured Earth	Standard Lens: C1 - Flush C2 - Regress Lens C2L - Regress Lens, Long C3 - Regress Lamp C4 - 45° Angled Flush Lens: C1F - Flush C2F - Regress Lens C2LF - Regress Lens, Long C3F - Regress Lamp C4F - 45° Angled C4LF - 45° Angled, Long	3 - 3" 6 - 6" 12 - 12" 18 - 18" 24 - 24" 30 - 30" 36 - 36" 42 - 42" 48 - 48"	MO1-S1-12 - 12" MO1 Stake Mount (36" max. stem) MO1-S1-18 - 18" MO1 Stake Mount (36" max. stem) MO1-S2-12 - 12" MO1 Adjustable Stake Mount (12" stem only) MO1-S2-18 - 18" MO1 Adjustable Stake Mount (18" stem only) MO1-S2-24 - 24" MO1 Adjustable Stake Mount (24" to 48" stems only) MO1-S3-12 - 12" MO1 Junction with Transformer (36" max. stem) ^{3,4} MO1-S3-18 - 18" MO1 Junction with Transformer (36" max. stem) ^{3,4} MO1-S4-12 - 12" MO1 Junction Mount (36" max. stem) MO1-S4-18 - 18" MO1 Junction Mount (36" max. stem) MO2-S4-12 - 12" MO2 Junction Mount (48" max. stem) MO14 - MO14 Brass Stake Mount (24" max. stem) MO17 - MO17 Spike Mount (24" max. stem) MO18 - MO18 Spike Mount w/ Cap (24" max. stem) MO19 - MO19 Surface Mount w/ Cap (36" max. stem)	MO1-S0 - No Mount (MO1 Cap Only. 36" max. stem) MO1-SM - MO1 Surface Mount (36" max. stem) MO1-S1-12 - 12" MO1 Stake Mount (36" max. stem) MO1-S1-18 - 18" MO1 Stake Mount (36" max. stem) MO1-S2-12 - 12" MO1 Adjustable Stake Mount (12" stem only) MO1-S2-18 - 18" MO1 Adjustable Stake Mount (18" stem only) MO1-S2-24 - 24" MO1 Adjustable Stake Mount (24" to 48" stems only) MO1-S3-12 - 12" MO1 Junction with Transformer (36" max. stem) ^{3,4} MO1-S3-18 - 18" MO1 Junction with Transformer (36" max. stem) ^{3,4} MO1-S4-12 - 12" MO1 Junction Mount (36" max. stem) MO1-S4-18 - 18" MO1 Junction Mount (36" max. stem) MO2-S4-12 - 12" MO2 Junction Mount (48" max. stem) MO14 - MO14 Brass Stake Mount (24" max. stem) MO17 - MO17 Spike Mount (24" max. stem) MO18 - MO18 Spike Mount w/ Cap (24" max. stem) MO19 - MO19 Surface Mount w/ Cap (36" max. stem)																
Metal Finishes: CLA - Clear Anodized							MR16 Halogen: 0 - None 01 - ESX, 20W, 12° 02 - BAB, 20W, 40° 03 - FRB, 35W, 12° 04 - FRA, 35W, 23° 05 - FMW, 35W, 40° 09 - EXT, 50W, 13° 10 - EXZ, 50W, 26° 11 - EXN, 50W, 40° 12 - FNV, 50W, 60°													

Example: PA16A - BN - SM - K2 - C2 - S1 - 12 - MO1-S1-12 - 12 - 02 - L1 - 0 - H1