

# VISION-3

LIGHTING

## Cast Junction Box **MODEL M05**

**Specifications:**

**Construction**

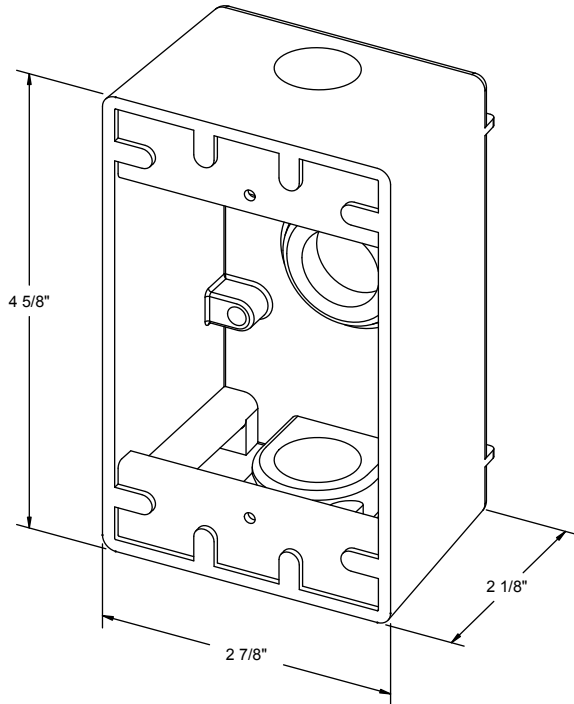
Seamless, cast aluminum, weather-proof junction boxes with reinforced connector outlets. Available in industry standard rectangular single gang box and round outlet box sizes. Rectangular box comes with three 1/2" NPS threaded conduit holes (two conduit plugs included, gasket and mounting screws not supplied). Round box comes with five 1/2" NPS threaded conduit holes (four conduit plugs included, gasket and mounting screws not supplied).

**Finish**

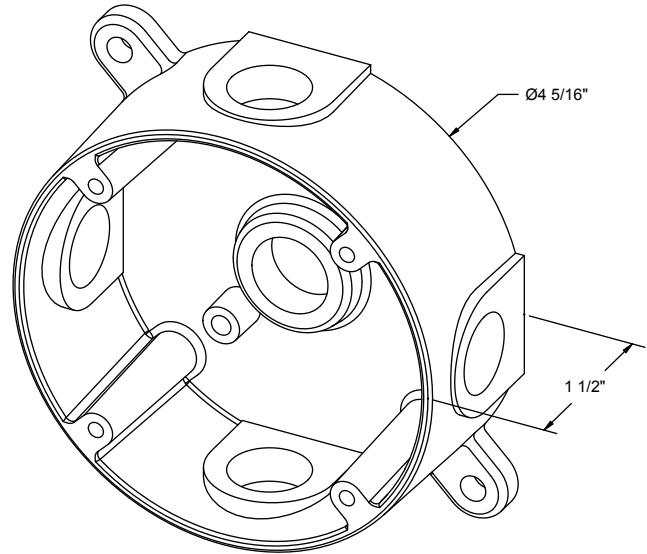
Boxes are coated with TGIC thermo set polyester powder coat paint; available in 14 standard colors.

**Certification**

UL tested & certified to US and Canadian safety standards for wet location use.



Rectangular Cast Junction Box



Round Cast Junction Box

Note: Actual boxes may be slightly different than shown above.

**Ordering Information:**

Model	Finish
M05S - Rectangular	BL - Black
M05R - Round	BLT - Textured Black
	BN - Bronze
	BNT - Textured Bronze
	BAT - Textured Bark
	WI - White
	GRT - Textured Green
	SI - Silver
	GY - Grey
	BE - Beige
	GNT - Textured Granite
	SAT - Textured Sand
	PAT - Textured Patina
	EAT - Textured Earth

**Notes:**

- Specifications, certifications, and ordering information are subject to change. Please check website for latest specification sheets.

Example: **M05R - GRT**