

VISION-3

LIGHTING

Machined Tree Canopy **MODEL MO10** Nail-on/Screw-on Round Tree Canopy

Specifications:

Canopy: Machined 6061-T6 aluminum, C36000 brass, or 304 stainless steel.

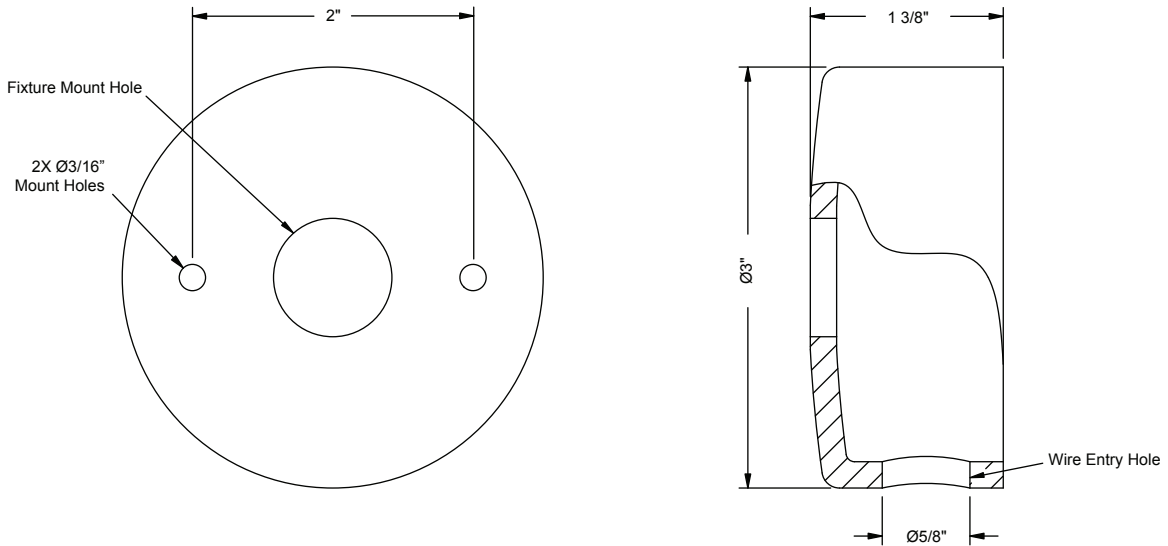
Fixture Mount: Ø7/8" non-threaded fixture mount hole.

Mounting: Two mounting holes, 2" on center, for mounting machined tree canopy to a tree (hardware not supplied).

Finish: TGIC thermo set polyester powder coat paint available in 14 standard colors. On aluminum model, finish is applied over a corrosion resistant, hexavalent chromium free, RoHS compliant coating. Aluminum model available in one additional metal finish: Clear Anodized. Brass model available in three additional metal finishes: Natural, Polished, and Aged. Stainless steel model available in three additional metal finishes: Natural, Polished, and Brushed.

Electrical: For use with low voltage lighting fixtures only. Requires the use of a remote transformer.

Certification: CSA tested & certified to US and Canadian safety standards for wet location use.



Ordering Information:

Model	Finish
MO10A - Aluminum	BL - Black
MO10B - Brass	BLT - Textured Black
MO10S - Stainless	BN - Bronze
	BNT - Textured Bronze
	BAT - Textured Bark
	WI - White
	GRT - Textured Green
	SI - Silver
	GY - Grey
	BE - Beige
	GNT - Textured Granite
	SAT - Textured Sand
	PAT - Textured Patina
	EAT - Textured Earth
	CLA - Clear Anodized (MO10A only)
	NAT - Natural (MO10B & MO10S only)
	POL - Polished (MO10B & MO10S only)
	AGE - Aged (MO10B only)
	BRU - Brushed (MO10S only)

Notes:

1. Specifications, certifications, and ordering information are subject to change. Please check website for latest specification sheets.

Example: **MO10B - SI**