

VISION-3 LIGHTING

In Grade Stake Mount **MODEL MO1** 12/120/230/277 Volt, 75 Watt Max., Ø2 1/2" Stake Mount

Specifications:

Housing: Stake and Junction housings made from corrosion resistant, thermoplastic PVC. Junction housing is supplied with two integral 1/2" slip fittings allowing for conduit connection, leak proof cable entry, and feed through wiring. (Conduit and cable not included).

Cap: Cap machined from 6061-T6 aluminum, C36000 brass, or 304 stainless steel. Cap contains a 1/2" NPS threaded mounting hole, and is locked to housing with three 18-8 stainless steel set screws.

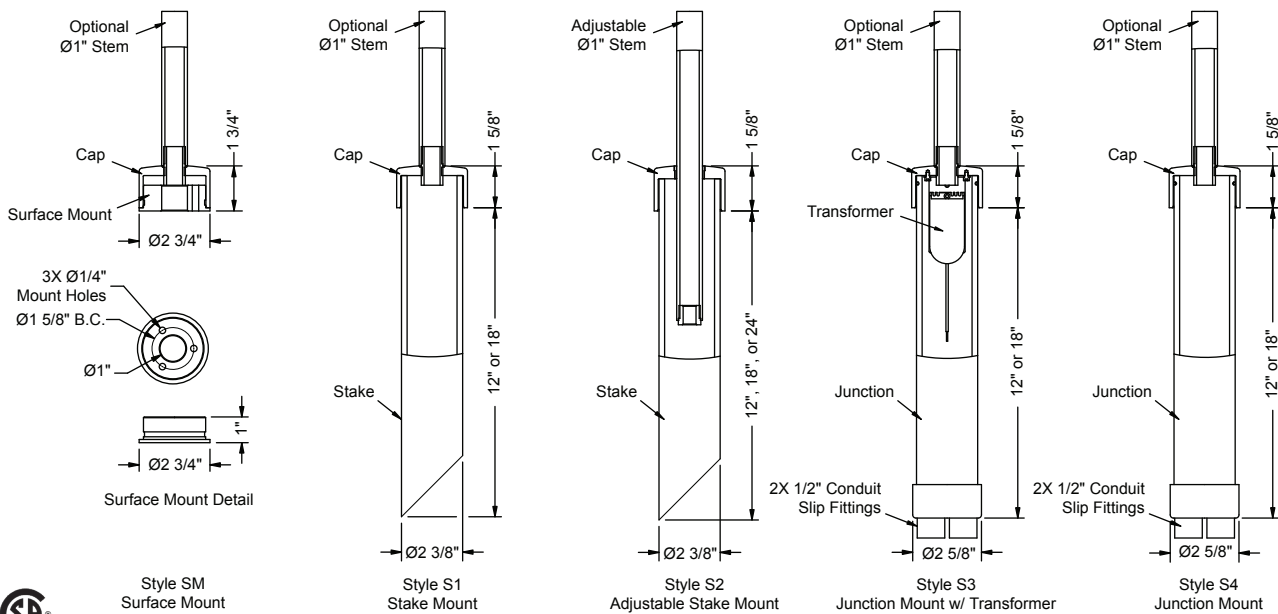
Stem: Stems are machined from 6061-T6 aluminum, C36000 brass, or 304 stainless steel; and are threaded 1/2" NPS on both ends. Stem option available in lengths of 3", 6", 12", 18", 24", 30", 36", 42", and 48".

Seals: O-ring groove on cap allows for use of an O-ring to prevent leaking between cap and fixture knuckle. (Note: All Vision3 fixtures come with a high temperature, black Viton O-ring on the knuckle for this purpose). On styles S3 and S4, a silicone O-ring between the cap and housing ensures a watertight junction housing.

Finish: TGIC thermo set polyester powder coat paint available in 14 standard colors. On aluminum model, finish is applied over a corrosion resistant, hexavalent chromium free, RoHS compliant coating. Aluminum model available in one additional metal finish: Clear Anodized. Brass model available in three additional metal finishes: Natural, Polished, and Aged. Stainless steel model available in three additional metal finishes: Natural, Polished, and Brushed.

Electrical: Style S3 transformer option includes a 75VA, 11.6V output, electronic transformer in 120V, 230V, or 277V input. Transformer mounted to cap with a 304 stainless steel bracket and 18-8 stainless steel hardware.

Certification: CSA tested & certified to US and Canadian safety standards for wet location landscape use per UL 1838 (all except 230V model).



Ordering Information:

Model	Finish	Style	Transformer Input Voltage	Stem
MO1A - Aluminum	BL - Black	S0 - No Mount (Cap Only)	0 - No Transformer (Styles S1, S2, and S4 only)	0 - No Stem
MO1B - Brass	BLT - Textured Black	SM - Surface Mount	120 - 120 Volt Input (Style S3 only)	3 - 3" Stem
MO1S - Stainless	BN - Bronze		230 - 277 Volt Input (Style S3 only) ¹	6 - 6" Stem
	BNT - Textured Bronze	S1-12 - 12" Stake (Available with up to 36" stem only)	277 - 277 Volt Input (Style S3 only) ¹	12 - 12" Stem
	BAT - Textured Bark	S1-18 - 18" Stake (Available with up to 36" stem only)		18 - 18" Stem
	WI - White	S2-12 - 12" Adjustable Stake (Available with 12" stem only)		24 - 24" Stem
	GRT - Textured Green	S2-18 - 18" Adjustable Stake (Available with 18" stem only)		30 - 30" Stem
	SI - Silver	S2-24 - 24" Adjustable Stake (Available with 24" to 48" stem)		36 - 36" Stem
	GY - Grey			42 - 42" Stem
	BE - Beige	S3-12 - 12" Junction with Transformer (Available with up to 36" stem only) ¹		48 - 48" Stem
	GNT - Textured Granite	S3-18 - 18" Junction with Transformer (Available with up to 36" stem only) ¹		
	SAT - Textured Sand	S4-12 - 12" Junction (Available with up to 36" stem only)		
	PAT - Textured Patina	S4-18 - 18" Junction (Available with up to 36" stem only)		
	EAT - Textured Earth			
	CLA - Clear Anodized (MO1A only)			
	NAT - Natural (MO1B & MO1S only)			
	POL - Polished (MO1B & MO1S only)			
	AGE - Aged (MO1B only)			
	BRU - Brushed (MO1S only)			

Notes:
 1. Style S3 with 230V and 277V input options may not be completely compatible with Vision3 lighting fixtures with integral LED module. Contact V3 for transformer compatibility info if these options are being used with a V3 LED fixture.
 2. Specifications, certifications, and ordering information are subject to change. Please check website for latest specification sheets.

Example: **MO1S - POL - S1-18 - 0 - 6**