

# VISION-3 LIGHTING

## Metal Halide Sealed Ingrade **MODEL IG7** 120/208/240/277 Volt, 39 Watt Max., PAR20 Metal Halide 108-305 Volt, 20 Watt Max., GU6.5 Base T4 Metal Halide

### Specifications:

**Housing:** Cast C84400 bronze housing. Four 3/4" NPT conduit entries allow for side entry or bottom entry conduit connection. Water tight pass-thru prevents water from entering the housing in the event of the wiring compartment becoming flooded. IP68 rated to a depth of 1 ft. for 60 hours. Optional concrete pour collar available in material and finish to match the faceplate.

**Mounting:** Optional mount stand, with or without grout mask, can be used as a stand alone installation mount or tied to a rebar grid for easy mounting and alignment.

**Lens:** Tempered, 1/4" thick, stepped lens allows for flush mounting. Optional Slip Reduction Lens increases wet lens friction by over 50%. Molded, high temperature, silicone lens gasket compresses around lens between faceplate and housing for a water tight seal. Both lens and seal are removable for cleaning or replacement.

**Faceplate:** Available in cast or machined C84400 bronze or machined 316 stainless steel. Attaches using six 18-8 stainless steel captive screws. Optional Glare Shield, Half Dome, Marker Light, and Rock Guard faceplates available in cast C84400 bronze and allow 360° of rotational alignment. Optional Flanged faceplate available in machined brass or 316 stainless steel.

**Lamp Module & Aiming:** Standard Aiming Lamp Module allows for 22° vertical and 360° horizontal aiming. Joystick Aiming Lamp Module allows for one tool 'hot aiming' with 18° vertical and 360° horizontal adjustment without having to touch hot brackets or lamp. Modules constructed from 304 stainless steel and black anodized 6061-T6 aluminum. Optional black anodized 6061-T6 aluminum accessory holder accepts up to two lens options.

**Power Module:** Power module is constructed of black anodized 6061-T6 aluminum, 304 stainless steel, and 18-8 stainless steel hardware. Integral handle and quick disconnects allows easy removal and replacement of module. Power Module can be specified with a 39W multi-tap (120V, 208V, 240V, 277V) magnetic ballast or a 20W universal voltage (108V to 305V) electronic ballast.

**Finish:** Available in 14 standard TGIC thermo set polyester powder coat paint colors. Cast Bronze faceplates available in two additional finishes: Natural and Aged. Machined Brass faceplates available in three additional finishes: Natural, Aged, and Polished. Machined Stainless faceplates available in three additional finishes: Natural, Brushed, and Polished. Optional pour collar finished to match faceplate.

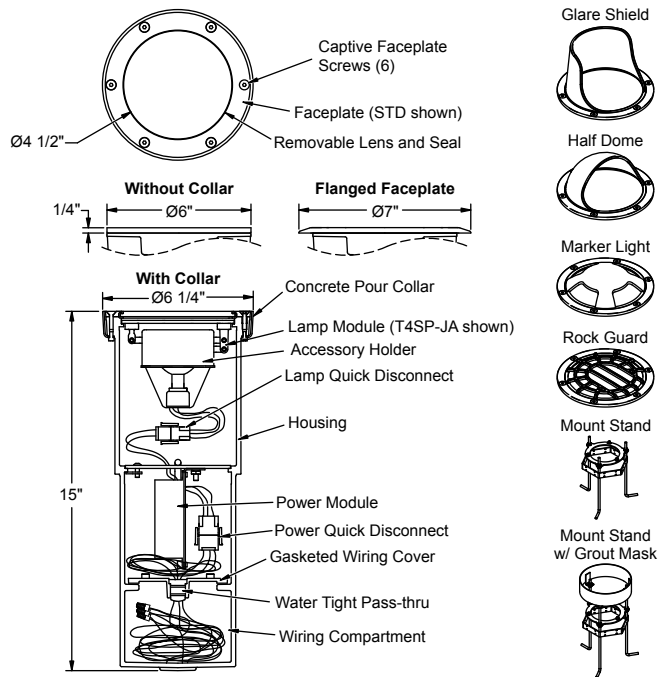


**Socket:** Medium Base porcelain socket with nickel-plated copper contacts and 600V, 250° C, PTFE coated 18 ga leads (PAR20 lamps) or GU6.5 bi-pin porcelain socket with nickel-plated copper contacts and 1kV, 180°C, 18 ga leads (T4 lamps).

**Lamp:** Medium base PAR20 Metal Halide up to 39 watts or GU6.5 base T4 Metal Halide (with spot or flood optics in lamp module) up to 20W.

**Certification:** IP68 rated to a depth of 1 ft. for 60 hours. Drive over durable for up to 5300 lb vehicles, at up to 10 mph ('STD', 'ML1', 'ML2', or 'ML4' faceplates only. Other faceplate options are not suitable for drive over applications). CSA tested & certified to US and Canadian safety standards for wet location landscape use per UL1598 with the following ratings:

**IG7 with electronic ballast - 20W Max. T4 Metal Halide lamp.**  
**IG7 with magnetic ballast - 39W Max. PAR20 Metal Halide lamp.**



### Ordering Information:

Model	Finish <sup>1</sup>	Housing Style	Lens Style	Lamp Module <sup>2</sup>	Power Module <sup>2</sup>	Lens Accy <sup>3,4</sup>	Filter <sup>3,4</sup>	Louver <sup>3,4</sup>	Accessories
IG7C Cast Bronze Faceplate	BL - Black	STD - Standard	STD - Standard	PAR20 Lamp : PAR20-STD - Standard Aiming PAR20-JA - Joystick Aiming T4 Lamp : T4-STD-SP - Standard Aiming w/ Spot Optics T4-STD-NFL - Standard Aiming w/ Narrow Flood Optics T4-STD-FL - Standard Aiming w/ Flood Optics T4-JA-SP - Joystick Aiming w/ Spot Optics T4-JA-NFL - Joystick Aiming w/ Narrow Flood Optics T4-JA-FL - Joystick Aiming w/ Flood Optics	Electronic Ballast: E-MH-20-UV - 20W, 108-305V. Magnetic Ballast: M-MH-39-120 - 39W, 120V. M-MH-39-208 - 39W, 208V. M-MH-39-240 - 39W, 240V. M-MH-39-277 - 39W, 277V.	Lamp <sup>2</sup> 0 - None T4 Metal Halide: 101 - 20W, CMH20T PAR20 Metal Halide: 32 - 39W, PAR20MH,10° Spot 33 - 39W, PAR20MH,30° Flood	0 - None F1 - Red F2 - Blue F3 - Lt. Blue F4 - Green F5 - Amber F6 - Pink	0 - None H1 - Hex	0 - None AH - Accy Holder <sup>4</sup> MS - Mount Stand GM - Mount Stand w/ Grout Mask
	BN - Bronze	STD-PC - STD w/ Pour Collar <sup>5</sup>	SLR - Slip Reduction						
	WI - White								
IG7B Machined Brass Faceplate	SI - Silver	FL - Flanged (IG7B & IG7S only) <sup>5</sup>							
	GY - Grey	GS - Glare Shield (IG7C only)							
	BE - Beige	HD - Half Dome (IG7C only)							
IG7S Machined Stainless Faceplate	BAT - Textured Bark	RG - Rock Guard (IG7C only)							
	GRT - Textured Green	ML1 - Marker Light, 1 port (IG7C only)							
	GNT - Textured Granite	ML2 - Marker Light, 2 ports@180° (IG7C only)							
IG7S Machined Stainless Faceplate	SAT - Textured Sand	ML4 - Marker Light, 4 ports@90° (IG7C only)							
	PAT - Textured Patina								
	EAT - Textured Earth								
	NAT - Natural								
IG7S Machined Stainless Faceplate	POL - Polished (IG7B & IG7S only)								
	AGE - Aged (IG7C & IG7B only)								
	BRU - Brushed (IG7S only)								

**Notes:**

1. Finish applies to faceplate and pour collar only.
2. Lamp type and wattage must match Lamp Module type and Power Module wattage.
3. Only two lens options may be specified.
4. Accy Holder must be specified to use lens options.
5. Flanged (FL) faceplate can not be used with the Pour Collar option.
6. Specifications, certifications, and ordering information are subject to change. Please check website for latest specification sheets.

**Example: IG7S - POL - STD-PC - STD - STD - PAR20-JA - M-MH-39-120 - 32 - 0 - F2 - H1 - AH/MS**