

# VISION-3 LIGHTING

MR16 Sealed Ingrade **MODEL IG5**  
120/277V 42W Max., MR16 Halogen  
120/277V 7.5W, 6W, or 10W LED

## Specifications

### Housing

Cast C84400 bronze housing in two depths: Standard (STD) and short (SH). Four 3/4" NPT conduit entries allow for side entry or bottom entry conduit connection. Water tight pass-thru prevents water from entering the housing in the event of the wiring compartment becoming temporarily flooded. IP68 rated to a depth of 1 ft. for 60 hours. Optional concrete pour collar available in material and finish to match the faceplate.

### Mounting

Optional mount stand, with or without grout mask, can be used as a stand alone installation mount or tied to a rebar grid for easy mounting and alignment.

### Lens

Tempered, 1/4" thick, stepped lens allows for flush mounting. Optional Slip Reduction Lens increases wet lens friction by over 50%. Molded, high temperature, silicone lens gasket compresses around lens between faceplate and housing for a water tight seal. Both lens and seal are removable for cleaning or replacement.

### Faceplate

Available in cast or machined C84400 bronze or machined 316 stainless steel. Attaches using six 18-8 stainless steel captive screws. Optional Glare Shield, Half Dome, Marker Light, and Rock Guard faceplates available in cast C84400 bronze and allow 360° of rotational alignment. Optional Flanged faceplate available in machined brass or 316 stainless steel.

### Lamp Module & Aiming

**MR16 Halogen:** Standard Aiming Lamp Module allows for 22° vertical and 360° horizontal aiming. Joystick Aiming Lamp Module allows for one tool 'hot aiming' with 18° vertical and 360° horizontal adjustment without having to touch hot brackets or lamp. Optional accessory holder accepts up to two lens options.

**Integral & Retrofit LED:** LED lamp module uses black anodized aluminum bracketry for maximum heat transfer away from LED to ensure long life while allowing for one tool 'hot aiming' with 18° vertical and 360° horizontal adjustment. Integral accessory holder accepts up to two lens options.

6061-T6 aluminum, 304 stainless steel, and 18-8 stainless steel hardware. Integral handle and quick disconnects allows easy removal and replacement of module.

### Finish

Available in 14 standard TGIC thermo set polyester powder coat paint colors. Cast Bronze faceplates available in two additional finishes: Natural and Aged. Machined Brass faceplates available in three additional finishes: Natural, Aged, and Polished. Machined Stainless faceplates available in three additional finishes: Natural, Brushed, and Polished. Optional pour collar finished to match faceplate.

### Socket

GY-6.35 porcelain socket with 600V, 250°C, PTFE coated 18 ga leads.

### Lamps

**MR16 Halogen:** 12V bi-pin up to 42W (See **Certification** heading).

**Integral LED:** 12-24V AC/DC 6W (400lm) or 12V AC/DC 10W (700lm) LED options include integral driver with High/Low switch for 35W/20W (6W) or 50W/35W (10W) halogen equivalent outputs. LED Modules are field replaceable and feature replaceable lenses, an L70 > 60,000 hrs., dynamic transformer recognition, phase dimming (see Transformer and Dimmer Compatibility List), and patented LEDSense® thermal management.

**Retrofit MR16 LED:** 12V 7.5W (600lm) bi-pin retrofit Soraa™ MR16 LED lamp with specially engineered heat sink mount to ensure proper heat transfer to housing. Note: Retrofit LED will overheat without supplied heat sink mount.

### Certification

IP68 rated to a depth of 1 ft. for 60 hours. Drive over durable for

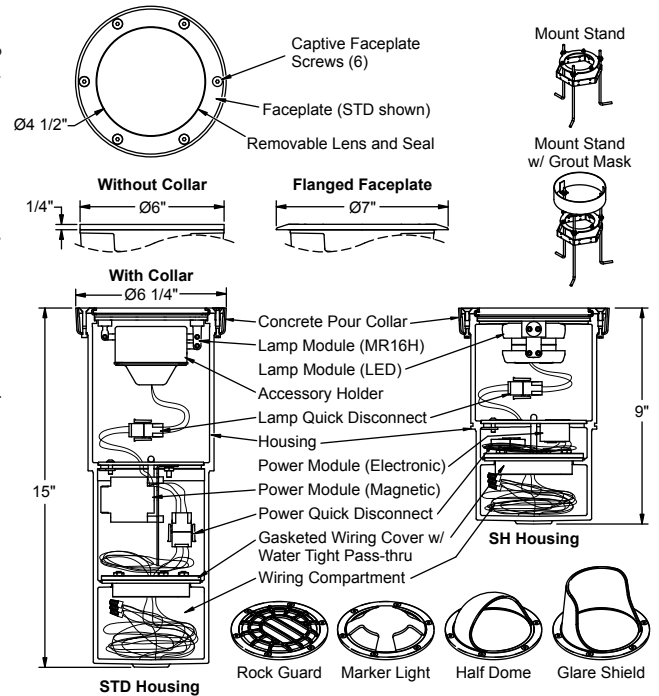
up to 5300 lb vehicles, at up to 10 mph ('STD', 'ML1', 'ML2', or 'ML4' faceplates only. Other faceplate options are not suitable for drive over applications). CSA tested & certified to US and Canadian safety standards for the following applications:

Wet location landscape use (UL1598):

**IGS - 42W Max. MR16 Halogen lamp.**

**LED options can be used in all models and applications.**

All ratings subject to change without notice. See website or contact V3 for most current info.



### Power Module

Power module is constructed of black anodized

## Ordering Information

Model	Housing Style	Faceplate Style	Lens Style	Lamp Module	Lamp	Lens Accy <sup>2,3</sup>	Filter <sup>2,3</sup>	Louver <sup>2,3</sup>	Accessories
IG5C - Cast Bronze Faceplate IG5B - Machined Brass Faceplate IG5S - Machined Stainless Faceplate	<b>Without Pour Collar:</b> STD - Standard SH - Short <sup>5</sup> <b>With Pour Collar:</b> STD-PC - Standard <sup>4</sup> SH-PC - Short <sup>4,5</sup>	STD - Standard FL - Flanged (IG5B & IG5S only) <sup>4</sup> GS - Glare Shield (IG5C only) HD - Half Dome (IG5C only) RG - Rock Guard (IG5C only) ML1 - Marker Light, 1 port (IG5C only) ML2 - Marker Light, 2 ports@180° (IG5C only) ML4 - Marker Light, 4 ports@90° (IG5C only)	STD - Standard SLR - Slip Reduction	<b>MR16 Halogen:</b> MR16-STD - Standard Aiming <sup>3</sup> MR16-JA - Joystick Aiming <sup>3</sup> <b>LED:</b> LED-JA - Joystick Aiming	<b>Integral LED (3000K, &gt;80 CRI)<sup>7,8</sup>:</b> 116 - 6W, 12° 117 - 6W, 21° 118 - 6W, 41° 141 - 10W, 12° 142 - 10W, 21° 143 - 10W, 41° <b>MR16 Halogen<sup>5,6</sup>:</b> 0 - None 01 - ESX, 20W, 12° 02 - BAB, 20W, 40° 03 - FRB, 35W, 12° 04 - FRA, 35W, 23° 05 - FMW, 35W, 40° <b>Retrofit MR16 LED (3000K, 90 CRI)<sup>7,8</sup>:</b> 155 - 7.5W, 10° 156 - 7.5W, 25° 157 - 7.5W, 36°	0 - None L1 - Spread L2 - Linear L3 - Softening	0 - None F1 - Red F2 - Blue F3 - Light Blue F4 - Green F5 - Amber F6 - Pink F7 - Mercury Vapor	0 - None H1 - Hex	0 - None AH - Accy Holder <sup>3</sup> MS - Mount Stand GM - Mount Stand w/ Grout Mask

- Notes:**
- Finish applies to faceplate and pour collar. Housing will be natural bronze finish.
  - Up to two lens options may be specified.
  - Accessory Holder option (AH) must be specified to use lens options with MR16-STD & MR16-JA lamp modules. Not required with LED-JA lamp module.
  - Flanged (FL) faceplate can not be used with the Pour Collar options.
  - SH housing only available with electronic transformer and LED lamp options.
  - Electronic transformer options only available with LED lamp options.
  - Other color temperatures available as a special order.
  - Use only approved Retrofit MR16 LED lamps and supplied heat sink mount, otherwise LED may overheat.
  - Specifications, certifications, and ordering information are subject to change. Please check website for latest specification sheets.

Example: **IG5B - POL - STD-PC - STD - STD - MR16-JA - M-75-120 - 02 - L1 - F2 - 0 - AH/MS**