

VISION-3 LIGHTING

MR16 Remote Sealed Ingrade **MODEL IG4** 12V 42W Max., MR16 Halogen 12V 7.5W, 12/24V 6W, or 12V 10W LED

Specifications

Housing

Cast C84400 bronze housing. Optional concrete pour collar available in material and finish to match the faceplate.

Lens

Tempered, 1/4" thick, stepped lens allows for flush mounting. Optional Slip Reduction Lens increases wet lens friction by over 50%. Molded, high temperature, silicone lens gasket compresses around lens between faceplate and housing for a water tight seal. Both lens and seal are removable for cleaning or replacement.

Faceplate

Available in cast or machined C84400 bronze or machined 316 stainless steel. Attaches using six 18-8 stainless steel captive screws. Optional Glare Shield, Half Dome, Marker Light, and Rock Guard faceplates available in cast C84400 bronze and allow 360° of rotational alignment. Optional Flanged faceplate available, in machined brass or 316 stainless steel, for core drill applications.

Lamp Module & Aiming

MR16 Halogen: Standard Aiming Lamp Module allows for 22° vertical and 360° horizontal aiming. Joystick Aiming Lamp Module allows for one tool 'hot aiming' with 18° vertical and 360° horizontal adjustment without having to touch hot brackets or lamp. Optional accessory holder accepts up to two lens options.

Integral & Retrofit LED: LED lamp module uses black anodized aluminum bracketry to ensure maximum heat transfer away from the LED to ensure long life while allowing for one tool 'hot aiming' with 18° vertical and 360° horizontal adjustment without having to touch hot brackets or lamp. Integral accessory holder accepts up to two lens options.

Finish

Available in 14 standard TGIC thermo set polyester powder coat paint colors. Cast Bronze faceplates available in two additional finishes: Natural and Aged. Machined Brass faceplates available in three additional finishes: Natural, Aged, and Polished. Machined Stainless faceplates available in three additional finishes: Natural, Brushed, and Polished. Optional pour collar finished to match faceplate.

Wire Entry

PVDF liquid tight strain relief fitting, silicon O-ring body seal and Viton form seal. 14-2 direct burial cable is spliced to two 600V, 250°C, PTFE coated 18 ga leads. Potting creates an anti-syphon barrier. Snap plug connectors used for connecting power to lamp leads on the aiming module.

Socket

GY-6.35 porcelain socket with 600V, 250°C, PTFE coated 18 ga leads.

Lamps

MR16 Halogen: 12V bi-pin up to 42W (see **Certification** heading for limitations).

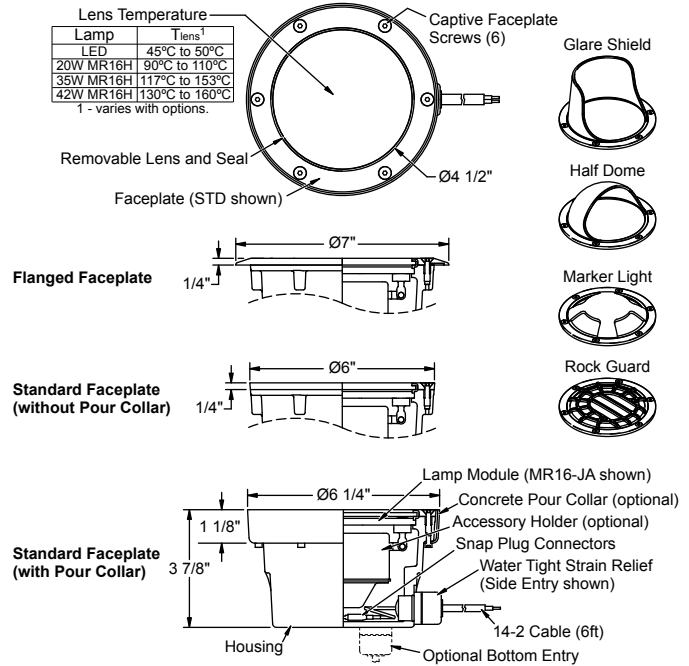
Integral LED: 12-24V AC/DC 6W (400lm) or 12V AC/DC 10W (700lm) LED options include integral driver with High/Low switch for 35W/20W (6W) or 50W/35W (10W)

halogen equivalent outputs. LED Modules are field replaceable and feature replaceable lenses, an L70 > 60,000 hrs., dynamic transformer recognition, US phase dimming (see Transformer and Dimmer Compatibility List), and patented

Ordering Information

Model	Housing Style	Lens Style	Lamp Module	Lens Accy ^{2,3}	Filter ^{2,3}	Louver ^{2,3}	Accessories
IG4C - Cast Bronze Faceplate IG4B - Machined Brass Faceplate IG4S - Machined Stainless Faceplate	<u>Without Pour Collar:</u> SE - Side Entry ⁴ BE - Bottom Entry <u>With Pour Collar:</u> SE-PC - Side Entry ⁴ BE-PC - Bottom Entry ⁴	STD - Standard SLR - Slip Reduction	MR16 Halogen: MR16-STD - Standard Aiming MR16-JA - Joystick Aiming LED: LED-JA - Joystick Aiming	0 - None L1 - Spread L2 - Linear L3 - Softening	0 - None F1 - Red F2 - Blue F3 - Lt. Blue F4 - Green F5 - Amber F6 - Pink Lt. Blue	0 - None H1 - Hex	0 - None AH - Accessory Holder ⁵
Finish¹ Powder Coat Finishes: BLT - Textured Black BNT - Textured Bronze BAT - Textured Bark GRT - Textured Green GNT - Textured Granite SAT - Textured Sand PAT - Textured Patina EAT - Textured Earth BL - Black BN - Bronze WI - White SI - Silver GY - Grey BE - Beige		Faceplate Style STD - Standard FL - Flanged (IG4B & IG4S only) ⁴ GS - Glare Shield (IG4C only) HD - Half Dome (IG4C only) RG - Rock Guard (IG4C only) ML1 - Marker Light, 1 port (IG4C only) ML2 - Marker Light, 2 ports@180° (IG4C only) ML4 - Marker Light, 4 ports@90° (IG4C only)	Lamp Integral LED (3000K, >80 CRI): ^{5,6} 116 - 6W, 12° 141 - 10W, 12° 117 - 6W, 21° 142 - 10W, 21° 118 - 6W, 41° 143 - 10W, 41° MR16 Halogen: 0 - None 03 - FRB, 35W, 12° 01 - ESX, 20W, 12° 04 - FRA, 35W, 23° 02 - BAB, 20W, 40° 05 - FMW, 35W, 40° Retrofit MR16 LED (3000K, 90 CRI): ^{5,6,7} 155 - 7.5W, 10° 156 - 7.5W, 25° 157 - 7.5W, 36°	Notes: 1. Finish applies to faceplate and pour collar. Housing will be natural bronze finish. 2. Up to two lens options may be specified (see Certification heading above for limitations). 3. Accessory Holder option (AH) must be specified to use lens options with MR16-STD & MR16-JA lamp modules. Not required with LED-JA lamp module. 4. Flanged (FL) faceplate can not be used with the Pour Collar options, and should not be used with the Side Entry housing for core drill applications. 5. Only power LED lamp options with approved transformers (contact V3 for transformer compatibility info). 6. Other color temperatures available as a special order. 7. Use only approved Retrofit MR16 LED lamps and supplied heat sink mount, otherwise LED may overheat. 8. Specifications, certifications, and ordering information are subject to change. Please check website for latest specification sheets.			

Example: **IG4C - AGE - SE-PC - STD - LED-JA - 142 - L1 - F2 - 0 - 0**



LEDSense® thermal management.
Retrofit MR16 LED: 12V 7.5W (600lm) bi-pin retrofit Soraa™ MR16 LED with specially engineered heat sink mount to ensure proper heat transfer to housing. Note: Retrofit LED will overheat without supplied heat sink mount.

Certification

IP68 rated to a depth of 3 ft. for 48 hours. Drive over durable for up to 5300 lb vehicles, at up to 10 mph ('BE' or 'BE-PC' housings and 'STD', 'ML1', 'ML2', or 'ML4' faceplates only). Other housing and faceplate options are not suitable for drive over applications). CSA tested & certified to US and Canadian safety standards for the following application(s):

Wet location landscape use (UL1838):

IG4 - LED or 42W Max. MR16 Halogen lamp.

Only one lens option can be used with 37W & 42W lamps. 42W lamps can not be used with a color filter. IG4 is not rated for use in Canada with halogen lamp options.

All ratings subject to change without notice. See website or contact V3 for most current info.