

VISION-3 LIGHTING

Rear Mount LED Flood **MODEL FL3** 100-277V 20W Max. LED w/ Integral Driver 21W Max. COB LED (Remote Driver Req'd)

Specifications

Body

Machined 6061-T6 aluminum or C36000 brass body with 18-8 stainless steel hardware.

Knuckle

Machined 6061-T6 aluminum or C36000 brass mounting knuckle with a 1/2" NPS threaded male fitting allows a full range of mounting positions. Double taper design (U.S. Patent #6,966,679) allows fixture to hold position during aiming and ensures a solid lock when tightened. Integral high temperature silicone O-ring prevents leaking between housing and knuckle. LED models have a molded silicone wire seal to prevent water entry at knuckle. Available Rotate and Lock option (U.S. Patent #7,108,405 & #7,458,552) allows for full 360° horizontal aiming and locking.

Cap

Machined 6061-T6 aluminum or C36000 brass caps come in seven styles, lock in place with one 18-8 stainless steel set screw, and are sealed to the body with a high temperature silicone O-ring. Regress Lens cap has drain hole for water drainage from top of lens if mounted in the up position. All caps accept up to three internal accessories, held in place by a stainless steel clip.

Finish

TGIC thermo set polyester powder coat paint available in 14 standard colors. On aluminum model, finish is applied over a corrosion resistant, hexavalent chromium free, RoHS compliant coating. Aluminum model available in one additional metal finish: Clear Anodized. Brass model available in three additional metal finishes: Natural, Polished, and Aged.

Lens

1/8" thick, tempered, clear lens, secured to cap with a high temperature, UV curing, silicone adhesive.

LED

Integral Driver LED: 100 to 277 VAC (50/60 Hz) input, 20W max. power (17W@120V, 20W@277V). LED lamp features: integral driver, 1280 lm max output, 75 lm/W max efficacy, field changeable optics (15°, 23°, 35° & 51°), push button selection of light level (100%, 80%, 55% & 18%), 120-277V 0-10V dimming available at three highest (100%, 80%, 55%) light levels, 120V phase dimming at highest (100%) light level (see Dimmer Compatibility List), an L70 of 60,000 hrs., and patented LEDSense® thermal management to ensure reliability and lumen maintenance. Note: thermal management system may cause power input and light output to vary slightly depending on fixture material, orientation, lens accessories, mounting, and ambient temperature.

COB LED: COB LED package uses modular industry standard components to simplify future upgrades and includes features like: performance of 1800 lm, 16W max input (@350mA) or 2400 lm, 21W max input (@500mA), field replaceable optics (12°, 25°, 40° & 60°), and an L70 > 55,000 hrs. Note: requires Vision3 approved 350mA or 500mA constant current driver mount (to be specified separately).

Certification

CSA tested & certified to US and Canadian safety standards per UL1598 for wet location use in landscape, wall mount, and ceiling mount applications.

Integral Driver LED:

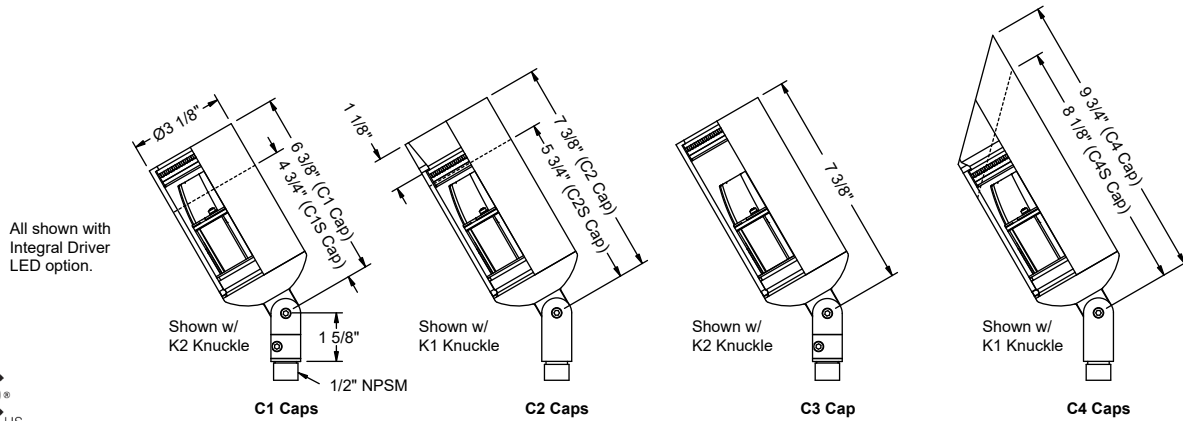
Integral driver LED available in all configurations.

COB LED:

FL3A - 500mA max driver current. (No color filter allowed @ 500mA)

FL3B - 350mA max driver current.

All ratings subject to change without notice. See web site or contact V3 for most current info.



USA

Ordering Information

Model	Finish	Cap Style	Knuckle ¹	Light Engine	Lens Accy	Filter ⁵	Louver
FL3A - Aluminum FL3B - Brass	Powder Coat Finishes: BL - Black BLT - Textured Black BN - Bronze BNT - Textured Bronze BAT - Textured Bark WI - White GRT - Textured Green SI - Silver GY - Grey BE - Beige GNT - Textured Granite SAT - Textured Sand PAT - Textured Patina EAT - Textured Earth Metal Finishes: CLA - Clear Anodized (FL3A only) NAT - Natural (FL3B only) POL - Polished (FL3B only) AGE - Aged (FL3B only)	Standard Caps: C1 - Flush C2 - Regress Lens C3 - Regress Lamp C4 - 45° Angled Short Caps²: C1S - Flush C2S - Regress Lens C4S - 45° Angled	K1 - Standard K2 - Rotate & Lock	Integral Driver LED³: 137 - 15°, 3000K, >80 CRI 138 - 23°, 3000K, >80 CRI 139 - 35°, 3000K, >80 CRI 140 - 51°, 3000K, >80 CRI COB LED^{4,5}: C01-X-XX-XX CRI CCT Optics 8 - >80 27 - 2700K 12 - 12° 9 - >90 30 - 3000K 25 - 25° 35 - 3500K 40 - 40° 40 - 4000K 60 - 60°	0 - None L1 - Spread L2 - Linear L3 - Softening	0 - None F1 - Red F2 - Blue F3 - Light Blue F4 - Green F5 - Amber F6 - Pink	0 - None H1 - Hex

Notes:

- 1.K1 knuckle is protected under U.S. Patent #6,966,679. K2 knuckle is further protected under U.S. Patent #7,108,405 & #7,458,552.
- 2.Short cap options only available with COB LED options.
- 3.Integral Driver LED available in other color temperatures and / or CRI's (contact V3 for info).
- 4.COB LED must be used with V3 approved constant current driver / mount (specified separately). Note: allowable drive current may be limited by fixture options. See 'Certification' heading above.
- 5.Color filter option can not be used with COB LED when being driven @ 500mA.
- 6.Specifications, certifications, and ordering information are subject to change. Please check website for latest specification sheets.

Example: **FL3B - BN - C3 - K1 - C01-8-30-25 - L1 - 0 - H1**