

# VISION-3 LIGHTING

## Rear Mount Flood MODEL FL20 12V, 4W LED

### Specifications:

**Body:** Machined 6061-T6 aluminum or C36000 brass with 18-8 stainless steel hardware.

**Knuckle:** Machined 6061-T6 aluminum or C36000 brass mounting knuckle with a 1/2" NPS threaded male fitting allows a full range of mounting positions. Double taper design (U.S. Patent #6,966,679) allows fixture to hold position during aiming and ensures a solid lock when tightened. Integral high temperature silicone O-ring prevents leaking between housing and knuckle. LED models have a molded silicone wire seal to prevent water entry at knuckle. Available Rotate and Lock option (U.S. Patent #7,108,405 & #7,458,552) allows for full 360° horizontal aiming and locking.

**Cap:** Machined 6061-T6 aluminum or C36000 brass caps come in four styles, lock in place with one 18-8 stainless steel set screw, and are sealed to the body with a high temperature silicone O-ring. Drain hole in C2 & C4 style caps allows for water drainage from top of lens. All caps accept up to two internal accessories, held in place by a stainless steel clip.

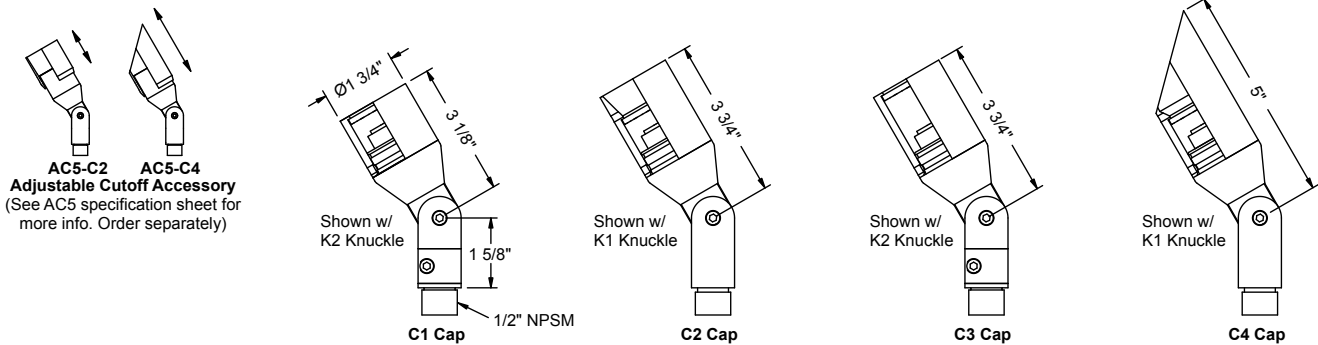
**Finish:** TGIC thermo set polyester powder coat paint available in 14 standard colors. On aluminum model, finish is applied over a corrosion resistant, hexavalent chromium free, RoHS compliant coating. Aluminum model available in one additional metal finish: Clear Anodized. Brass model available in three additional metal finishes: Natural, Polished, and Aged.

**Lens:** 1/8" thick, tempered, clear lens, secured to cap with a high temperature, UV curing, silicone adhesive.

**Lamp:** 12 Volt AC, 4W LED for 20W halogen equivalent light output. LED module features patented LEDSense® thermal management, an input voltage range of 9.6 to 14.4 VAC, an L70 of 60,000 hrs., a CRI > 80, and compatibility with magnetic and low load electronic transformers (see Transformer Compatibility List). Note: LED is not dimmable. LED module and optics are not field replaceable.

**Certification:** CSA tested & certified to US and Canadian safety standards for wet location landscape, wall mount, and ceiling mount use per UL1838 and UL1598.

All ratings subject to change without notice. See web site or contact V3 for most current info.



### Ordering Information:

Model	Finish	Cap Style	Knuckle	Lamp	Lens Accy <sup>2</sup>	Filter <sup>2</sup>	Louver <sup>2</sup>
FL20A - Aluminum	BL - Black	C1 - Flush	K1 - Standard <sup>1</sup>	LED:	0 - None	0 - None	0 - None
FL20B - Brass	BLT - Textured Black	C2 - Regress Lens	K2 - Rotate & Lock <sup>1</sup>	131 - 4W, 3000K, 12° 3,4,5	L1 - Spread Lens	F1 - Red	H1 - Honeycomb Louver
	BN - Bronze	C3 - Regress Lamp		132 - 4W, 3000K, 21° 3,4,5	L2 - Linear Lens	F2 - Blue	
	BNT - Textured Bronze	C4 - 45° Angled		133 - 4W, 3000K, 41° 3,4,5	L3 - Softening Lens	F3 - Light Blue	
	BAT - Textured Bark					F4 - Green	
	WI - White					F5 - Amber	
	GRT - Textured Green					F6 - Pink	
	SI - Silver						
	GY - Grey						
	BE - Beige						
	GNT - Textured Granite						
	SAT - Textured Sand						
	PAT - Textured Patina						
	EAT - Textured Earth						
	CLA - Clear Anodized (FL20A only)						
	NAT - Natural (FL20B only)						
	POL - Polished (FL20B only)						
	AGE - Aged (FL20B only)						

**Notes:**

- K1 knuckle is protected under U.S. Patent #6,966,679. K2 knuckle is further protected under U.S. Patent #7,108,405 & #7,458,552.
- Only 2 lens accessories can be specified.
- LED also available in 2700K & 4000K color temperatures as a special order.
- Only power LED with magnetic or V3 approved electronic transformers (contact V3 for transformer compatibility info). LED not dimmable.
- LED module and optics are not field replaceable or interchangeable.
- Specifications, certifications, and ordering information are subject to change. Please check website for latest specification sheets.

Example: **FL20A - WI - C3 - K2 - 131 - L1 - F5 - 0**