

VISION-3 LIGHTING

Side Mount LED Flood **MODEL FL12** 100-277V 20W Max. LED w/ Integral Driver

Specifications

Body

Machined 6061-T6 aluminum or C36000 brass body with 18-8 stainless steel hardware. Machined 6061-T6 aluminum or C36000 brass side mount knuckle is pressed into body and sealed with a high temperature silicone O-ring.

Knuckle

Machined 6061-T6 aluminum or C36000 brass mounting knuckle with a 1/2" NPS threaded male fitting allows a full range of mounting positions. Double taper design (U.S. Patent #6,966,679) allows fixture to hold position during aiming and ensures a solid lock when tightened. Integral high temperature silicone O-ring prevents leaking between housing and knuckle. LED models have a molded silicone wire seal to prevent water entry at knuckle. Available Rotate and Lock option (U.S. Patent #7,108,405 & #7,458,552) allows for full 360° horizontal aiming and locking.

Cap

Machined 6061-T6 aluminum or C36000 brass caps come in four styles, lock in place with one 18-8 stainless steel set screw, and are sealed to the body with a high temperature silicone O-ring. Regress Lens cap has drain hole for water drainage from top of lens if mounted in the up position. All caps accept up to three internal accessories, held in place by a stainless steel clip.

Finish

TGIC thermo set polyester powder coat paint available in 14 standard colors. On aluminum model, finish is applied over a corrosion resistant, hexavalent chromium free, RoHS compliant coating. Aluminum model available in one additional metal finish: Clear Anodized. Brass model available in three additional metal finishes: Natural, Polished, and Aged.

Lens

1/8" thick, tempered, clear lens, secured to cap with a high temperature, UV curing, silicone adhesive.

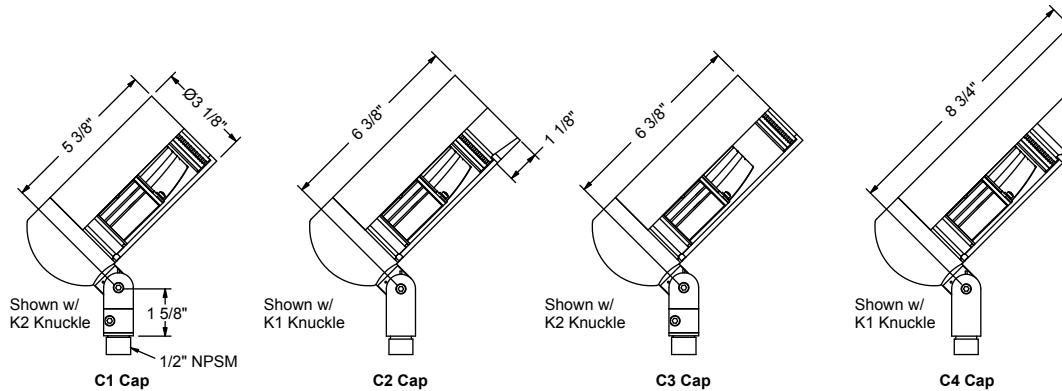
LED

100 to 277 VAC (50/60 Hz) input, 20W max. power (17W@120V, 20W@277V). LED lamp features: integral driver, up to 1280 lumen output, up to 75 lm/W efficacy, four different beam patterns (15°, 23°, 35° & 51°), field changeable optics, push button selection of 4 light levels (100%, 80%, 55% & 18%), 120-277V universal 0-10V dimming available at three highest (100%, 80%, 55%) light level settings, 120V phase dimming at highest (100%) light level setting (see Dimmer Compatibility List), an L70 of 60,000 hrs., and patented LEDSense® thermal management to ensure reliability and lumen maintenance. Note: thermal management system may cause power input and light output to vary slightly depending on fixture material, orientation, lens accessories, mounting, and ambient temperature.

Certification

CSA tested & certified to US and Canadian safety standards per UL1598 for wet location use in landscape, wall mount, and ceiling mount applications.

All ratings subject to change without notice. See web site or contact V3 for most current info.



Ordering Information

Model	Finish	Cap Style	Knuckle	Lamp ²	Lens Accy	Filter	Louver
FL12A - Aluminum	Powder Coat Finishes:	C1 - Flush	K1 - Standard ¹	100-277V, 20W Max. LED:	0 - None	0 - None	0 - None
FL12B - Brass	BL - Black	C2 - Regress Lens	K2 - Rotate & Lock ¹	137 - 15°, 3000K, >80 CRI	L1 - Spread	F1 - Red	H1 - Hex
	BLT - Textured Black	C3 - Regress Lamp		138 - 23°, 3000K, >80 CRI	L2 - Linear	F2 - Blue	
	BN - Bronze	C4 - 45° Angled		139 - 35°, 3000K, >80 CRI	L3 - Softening	F3 - Light Blue	
	BNT - Textured Bronze			140 - 51°, 3000K, >80 CRI		F4 - Green	
	BAT - Textured Bark					F5 - Amber	
	WI - White					F6 - Pink	
	GRT - Textured Green						
	SI - Silver						
	GY - Grey						
	BE - Beige						
	GNT - Textured Granite						
	SAT - Textured Sand						
	PAT - Textured Patina						
	EAT - Textured Earth						
	Metal Finishes:						
	CLA - Clear Anodized (FL12A only)						
	NAT - Natural (FL12B only)						
	POL - Polished (FL12B only)						
	AGE - Aged (FL12B only)						

Notes:

- K1 knuckle is protected under U.S. Patent #6,966,679. K2 knuckle is further protected under U.S. Patent #7,108,405 & #7,458,552.
- LED lamp options available in other color temperatures and / or CRI's (contact V3 for info).
- Specifications, certifications, and ordering information are subject to change. Please check website for latest specification sheets.

Example: **FL12A - CLA - C2 - K1 - 137 - L2 - 0 - 0**