

VISION 3 LIGHTING

Rear Mount MR16 Flood **MODEL FL1** 12V 50W Max., MR16 Halogen 12V 7.5W, 12/24V 6W, or 12V 10W LED

Specifications

Body

Machined 6061-T6 aluminum, C36000 brass, or 304 stainless steel body with 18-8 stainless steel hardware.

Knuckle

Machined 6061-T6 aluminum, C36000 brass, or 304 stainless steel mounting knuckle with a 1/2" NPS threaded male fitting allows a full range of mounting positions. Double taper design (U.S. Patent #6,966,679) allows fixture to hold position during aiming and ensures a solid lock when tightened. Integral high temperature silicone O-ring prevents leaking between housing and knuckle. Integral LED models have a molded silicone wire seal to prevent water entry at knuckle. Available Rotate and Lock option (U.S. Patent #7,108,405 & #7,458,552) allows for full 360° horizontal aiming and locking.

Cap

Machined cap locks in place with one 18-8 stainless steel set screw, and is sealed to the body with a high temperature silicone O-ring. Round C2 & C4 caps have drain holes for water drainage from top of lens. Square caps feature removable and field interchangeable cutoffs with 'flow-through' design for 360° drainage with no light leak. 'Flush Lens' cap styles incorporate a stepped lens to reduce the collection of water and debris on the lens.

Finish

TGIC thermo set polyester powder coat paint available in

14 standard colors. On aluminum model, finish is applied over a corrosion resistant, hexavalent chromium free, RoHS compliant coating. Aluminum model available in one additional metal finish: Clear Anodized. Brass model available in three additional metal finishes: Natural, Polished, and Aged. Stainless steel model available in three additional metal finishes: Natural, Polished, and Brushed.

Socket

GY-6.35 porcelain socket with 600V, 250°C, PTFE coated 18 ga leads.

Lens

Tempered, clear lens, secured to cap with a high temperature, UV curing, silicone adhesive.

Lamps

MR16 Halogen: 12V bi-pin up to 50W (maximum allowable wattage depends on model and application. See Certification heading).

Integral LED: 12-24V AC/DC 6W (400lm) or 12V AC/DC 10W (700lm) LED options include integral driver with High/Low switch for 35W/20W (6W) or 50W/35W (10W) halogen equivalent outputs. LED Modules are field replaceable and feature replaceable lenses, an L70 > 60,000 hrs., dynamic transformer recognition, phase dimming (see Transformer and Dimmer Compatibility List), and patented LEDSense® thermal management.

Retrofit MR16 LED: 12V 7.5W (600lm) bi-pin retrofit

Soraa™ MR16 LED lamp with specially engineered heat sink mount to ensure proper heat transfer to body. Note: Retrofit LED will overheat without supplied heat sink mount.

Certification

CSA tested & certified to US and Canadian safety standards for the following applications:

Wet location landscape use (UL1838):

FL1A - 50W Max. MR16 Halogen lamp.
FL1B - 35W Max. MR16 Halogen lamp.
FL1S - 20W Max. MR16 Halogen lamp.

Wet location wall mount use (UL1598):

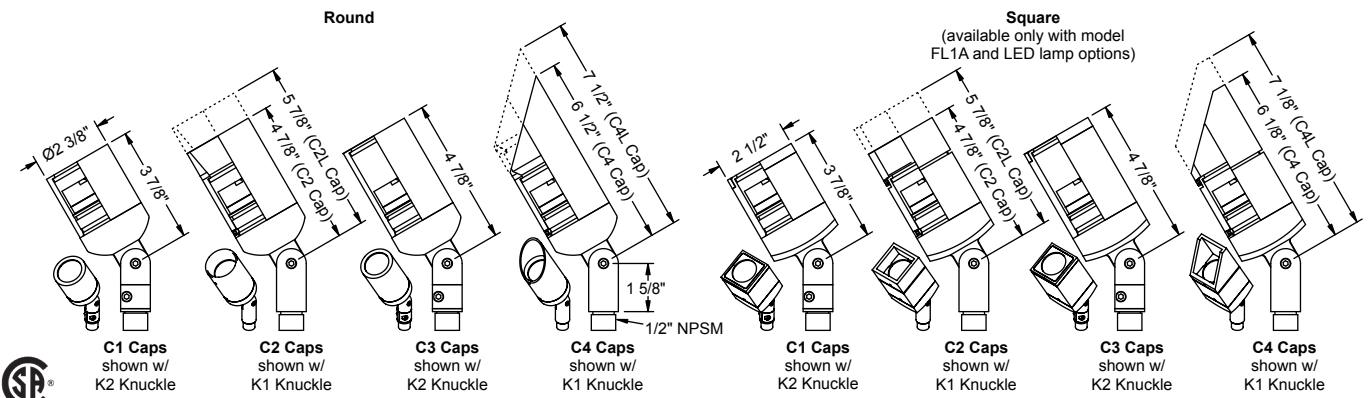
FL1A - 50W Max. MR16 Halogen lamp.
FL1B - 20W Max. MR16 Halogen lamp.
FL1S - 20W Max. MR16 Halogen lamp.

Wet location ceiling mount use (UL1598):

FL1A - 20W Max. MR16 Halogen lamp.
FL1B - 20W Max. MR16 Halogen lamp.
FL1S - 20W Max. MR16 Halogen lamp.

LED options can be used in all models and applications.

All ratings subject to change without notice. See website or contact V3 for most current info.



Ordering Information

Model	Shape	Cap Style	Knuckle	Lens Accy ⁶	Filter ⁶	Louver ⁶
FL1A - Aluminum FL1B - Brass ¹ FL1S - Stainless ¹	RND - Round SQ - Square ¹	<u>Standard Lens:</u> C1 - Flush C2 - Regress Lens C2L - Regress Lens, Long C3 - Regress Lamp C4 - 45° Angled C4L - 45° Angled, Long	K1 - Standard ³ K2 - Rotate & Lock ³	0 - None L1 - Spread L2 - Linear L3 - Softening	0 - None F4 - Green F5 - Amber F6 - Pink F7 - Mercury Vapor	0 - None H1 - Hex
<u>Finish</u>		<u>Lamp</u>		<u>Notes:</u>		
<u>Powder Coat Finishes:</u> BLT - Textured Black BNT - Textured Bronze BAT - Textured Bark GRT - Textured Green GNT - Textured Granite SAT - Textured Sand PAT - Textured Patina EAT - Textured Earth		BL - Black BN - Bronze WI - White SI - Silver GY - Grey BE - Beige		1. SQ shape available with model FL1A and LED lamps only 2. Allowable wattage depends on model and application. See Certification heading above. 3. K1 knuckle is protected under U.S. Patent #6,966,679. K2 knuckle is further protected under U.S. Patent #7,108,405 & #7,458,552. 4. Only power LED lamp options with approved transformers (contact V3 for transformer compatibility info). 5. LED lamp options available in other color temperatures and / or CRI's (contact V3 for info). 6. Only two lens accessories can be used with Integral LED. 7. Use only approved Retrofit MR16 LED lamps and supplied heat sink mount, otherwise LED may overheat. 8. Specifications, certifications, and ordering information are subject to change. Please check website for latest specification sheets.		
<u>Metal Finishes:</u> CLA - Clear Anodized (FL1A only) NAT - Natural (FL1B & FL1S only) POL - Polished (FL1B & FL1S only) AGE - Aged (FL1B only) BRU - Brushed (FL1S only)		C4F - 45° Angled, Long C4LF - 45° Angled, Long C1F - Flush C2F - Regress Lens C2LF - Regress Lens, Long C3F - Regress Lamp C4F - 45° Angled C4LF - 45° Angled, Long		Integral LED (3000K, >80 CRI): ^{4,5,6} 116 - 6W, 12° 141 - 10W, 12° 117 - 6W, 21° 142 - 10W, 21° 118 - 6W, 41° 143 - 10W, 41° MR16 Halogen: ^{1,2} 0 - None 05 - FMW, 35W, 40° 01 - ESX, 20W, 12° 09 - EXT, 50W, 13° 02 - BAB, 20W, 40° 10 - EXZ, 50W, 26° 03 - FRB, 35W, 12° 11 - EXN, 50W, 40° 04 - FRA, 35W, 23° 12 - FNV, 50W, 60° Retrofit MR16 LED (3000K, 90 CRI): ^{4,5,7} 155 - 7.5W, 10° 156 - 7.5W, 25° 157 - 7.5W, 36°		

Example: **FL1B - AGE - RND - C3 - K2 - 117 - 0 - F2 - H1**