

VISION3 LIGHTING

LED Down Light **MODEL DL4** 100-277V 20W Max. LED w/ Integral Driver 21W Max. COB LED

Specifications

Mount Canopy

Available with the following mount options: MO3 (Machined Round Canopy), MO15 (Machined Square Canopy), and MO12 (Surface Mount Canopy). MO3 & MO15 mount options come mounted to a steel universal mounting ring for ease of mounting and adjustment on an industry standard round junction box. See mount specification sheets for more information. (Mount canopy must be mounted to an appropriate ceiling or junction box, in such a manner that is capable of holding the weight of the fixture. Junction box and hardware not included).

Body

Machined 6061-T6 aluminum or C36000 brass body and stem (if specified) are permanently attached to canopy using a 304 stainless steel threaded nipple.

Cap

Machined cap locks in place with one 18-8 stainless steel set screw, and is sealed to the body with a high temperature silicone O-ring. Square caps feature removable and field interchangeable cutoffs.

Finish

TGIC thermo set polyester powder coat paint available in 14 standard colors. On aluminum model, finish is applied over a corrosion resistant, hexavalent chromium free, RoHS compliant coating. Aluminum model available in one additional metal finish: Clear Anodized. Brass model available in three additional metal finishes: Natural, Polished, and Aged.

Lens

Tempered, clear lens, secured to cap with a high temperature, UV curing, silicone adhesive.

LED

Integral Driver LED: 100 to 277 VAC (50/60 Hz) input, 20W max. power (17W@120V, 20W@277V). LED lamp features: integral driver, 1280 lm max output, 75 lm/W max efficacy, field changeable optics (15°, 23°, 35° & 51°), push button selection of light level (100%, 80%, 55% & 18%), 120-277V 0-10V dimming available at three highest (100%, 80%, 55%) light levels, 120V phase dimming at highest (100%) light level (see Dimmer Compatibility List), an L70 of 60,000 hrs., and patented LEDSense® thermal management to ensure reliability and lumen maintenance.

Note: thermal management system may cause power input and light output to vary slightly depending on fixture material, orientation, lens accessories, mounting, and ambient temperature.

COB LED: COB LED package uses modular industry standard components to simplify future upgrades and includes features like: performance of 1800 lm, 16W max input (@350mA) or 2400 lm, 21W max input (@500mA), field replaceable optics (12°, 25°, 40° & 60°), and an L70 > 55,000 hrs. Note: requires Vision3 approved 350mA or 500mA constant current driver mount.

Certification

CSA tested & certified to US and Canadian safety standards (UL1598) for wet location ceiling use.

Integral Driver LED:

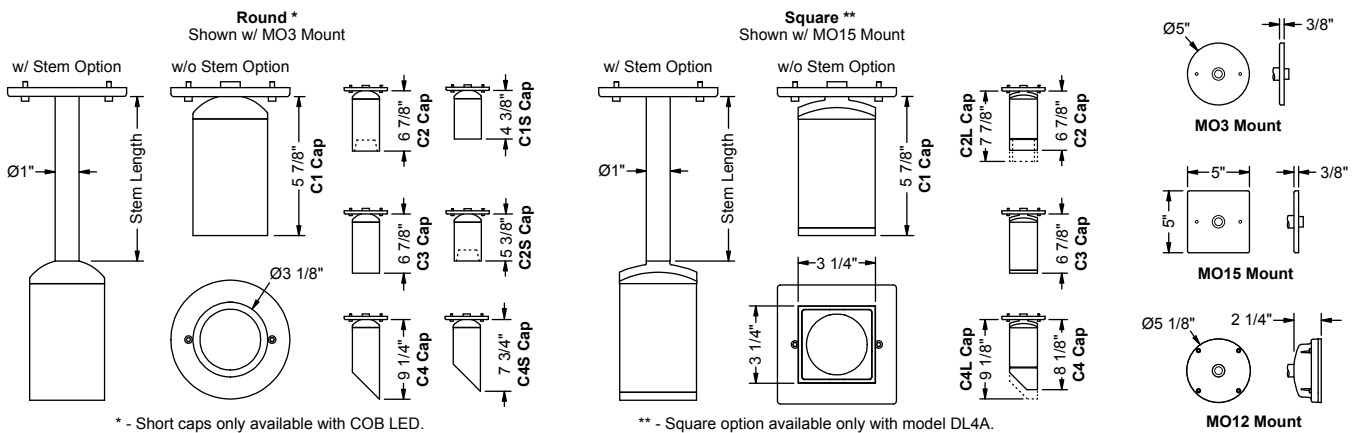
Integral driver LED available in all configurations.

COB LED:

DL4A - 500mA max driver current.

DL4B - 350mA max driver current.

All ratings subject to change without notice. See web site or contact V3 for most current info.



Ordering Information

Model DL4A - Aluminum DL4B - Brass ¹	Shape RND - Round SQ - Square ¹	Stem 0 - No Stem 3 - 3" Stem 6 - 6" Stem 12 - 12" Stem 18 - 18" Stem 24 - 24" Stem 30 - 30" Stem 36 - 36" Stem 42 - 42" Stem 48 - 48" Stem	Light Engine Integral Driver LED ² : 137 - 15°, 3000K, >80 CRI 138 - 23°, 3000K, >80 CRI 139 - 35°, 3000K, >80 CRI 140 - 51°, 3000K, >80 CRI COB LED ² : C01-X-XX-XX CRI CCT Optics 8 - >80 27 - 2700K 12 - 12° 9 - >90 30 - 3000K 25 - 25° 35 - 3500K 40 - 40° 40 - 4000K 60 - 60°	Lens Accy 0 - None L1 - Spread L2 - Linear L3 - Softening	Filter 0 - None F1 - Red F2 - Blue F3 - Lt. Blue F4 - Green F5 - Amber F6 - Pink	Louver 0 - None H1 - Hex
Finish Powder Coat Finishes: BLT - Textured Black BNT - Textured Bronze BAT - Textured Bark GRT - Textured Green GNT - Textured Granite SAT - Textured Sand PAT - Textured Patina EAT - Textured Earth Metal Finishes: CLA - Clear Anodized (DL4A only) NAT - Natural (DL4B only) POL - Polished (DL4B only) AGE - Aged (DL4B only)	Cap Style Standard Caps: C1 - Flush C2 - Regress Lens C3 - Regress Lamp C4 - 45° Angled Short Caps ² : C1S - Flush C2S - Regress Lens C4S - 45° Angled Long Caps ² : C2L - Regress Lens C4L - 45° Angled	Mount ⁴ Integral Driver LED: MO3 - Round Canopy MO15 - Square Canopy MO12 - Surface Mount Canopy COB LED: MO12-16-UNV-350-Z - 16W, 120-277V, 350mA, 0-10V dimming MO12-16-120-350-P - 16W, 120V, 350mA, phase dimming MO12-25-UNV-500-Z - 25W, 120-277V, 500mA, 0-10V dimming MO12-25-120-500-P - 25W, 120V, 500mA, phase dimming	Notes: 1. SQ shape available with model DL4A only. 2. Short cap options only available with round COB LED options. 3. Long cap options only available with SQ shape. 4. See MO3, MO12, or MO15 specification sheet for mount details. 5. Integral Driver LED available in other color temperatures and / or CRI's (contact V3 for info). 6. COB LED must be used with V3 approved constant current driver mount. Note: allowable drive current may be limited by fixture options. See 'Certification' heading above. 7. Specifications, certifications, and ordering information are subject to change. Please check website for latest specification sheets.			

Example: **DL4A - CLA - SQ - C3 - 12 - MO12-25-UNV-500-Z - C01-9-40-25 - 0 - F2 - H1**