

Installation Instructions

INSTRUCTIONS PERTAINING TO A RISK OF FIRE, OR INJURY TO PERSONS.

IMPORTANT SAFETY INSTRUCTIONS. SAVE THESE INSTRUCTIONS.

(Failure to follow the warnings and instructions on this sheet could result in fire, injury, failure of product, and/or voiding of warranty.)

1. Do not touch fixture while lamp is on. Turn off/unplug and allow to cool before replacing lamp.
2. Lamp gets HOT quickly! Contact only switch/plug when turning on.
3. Do not touch hot lens, body, cap or knuckle.
4. Keep lamp away from materials that may burn.
5. Do not operate with damaged or missing parts.
6. Do not disassemble beyond cap removal to facilitate lamp and/or accessory installation or replacement.
7. Remove any debris accumulated in the cap periodically.
8. Do not install within 10 feet of a pool, spa, or fountain.
9. Have installed in accordance with all applicable installation codes and standards by a person familiar with the construction, operation, and hazards involved.
10. Consult a qualified electrician to ensure correct branch circuit conductor.
11. Use only cable rated for proper voltage.
12. Do not pull or hang from fixture! Damage or injury may occur.

Installation:

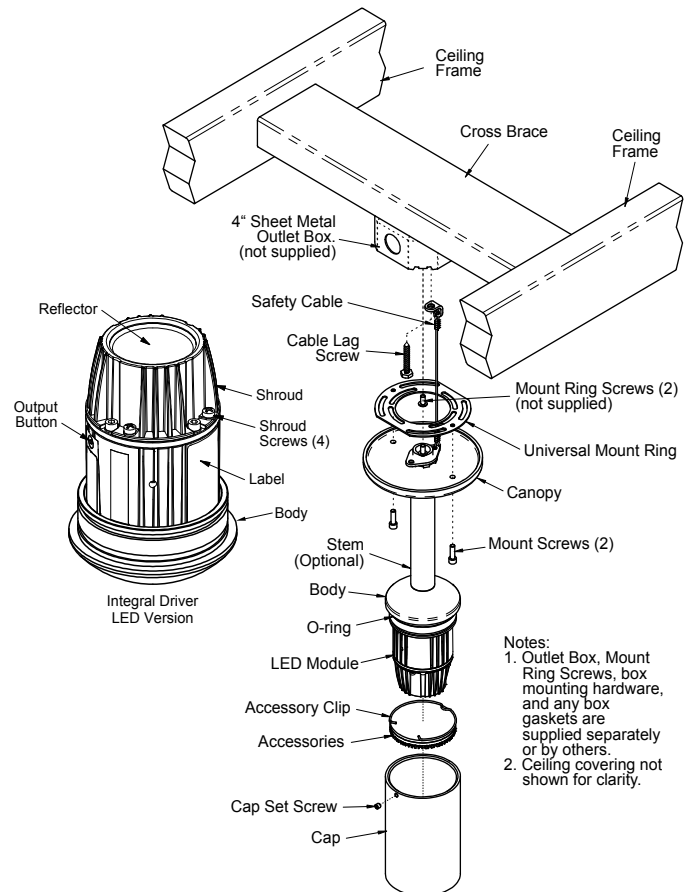
The instructions below are for mounting DL4 models with flat plate canopy options, such as the MO3 (shown) or MO15. For models with surface mount canopy options (MO12 mount) refer to the mounts installation instructions for information specific to that mount. All instructions below concerning wiring, box mounting, and safety cable still apply.

Notes:

- This fixture should not be mounted in such a way that it is buried or in direct contact with the ground or soil.
- Integral Driver LED models come with push button manual selection of 4 different outputs. See 'Changing LED Output Level' instructions on next page. Output will be set at factory to highest setting, unless otherwise specified when ordered.
- Integral Driver LED models also allow for 100-277V 0-10V dimming (at three highest push button light level settings only) and 120V phase dimming (at highest push button light level setting only). Integral Driver LED models should only be used with compatible dimming systems. Contact Vision3 Lighting for further information.
- COB LED's must be powered by a Vision3 Lighting approved LED driver with the proper rating. Check specification sheet and fixture label for proper ratings.
- When removing the cap from a COB model, take care to pull the cap straight off. "Cocking" or pulling off to the side could break the Reflector.
- All ratings subject to change without notice. See website or contact V3 for most current info.

Caution! Fixture will be hot when on. Remove power and allow fixture to cool before performing any adjustments or maintenance.

1. Unpack the DL4 LED Down Light from its shipping container and inspect.
2. For COB LED models: Install Accessory Lenses as explained in Accessory Maintenance steps 1 thru 10 below and the Reflector as explained in Changing COB LED Optics steps 3 & 4 below.
3. Install and wire the Outlet Box (not included) per applicable standards and codes. **Note: The DL4 LED Down Light must be used with a 4" Sheet Metal Outlet Box that is flush mounted using some sort of cross brace arrangement that will hold the weight of the fixture, as shown in the sketch, or its equivalent. Failure to do so may cause injury or death!**
4. (MO3 & MO15 mounts only) The Universal Mounting Ring must be removed before the fixture can be mounted to the Outlet Box. Unscrew the two (2) Mount Screws with a 5/32" hex wrench to remove the Universal Mounting Ring.
5. (MO3 & MO15 mounts only) Mount the Universal Mounting Ring to the Outlet Box using appropriately sized Mounting Ring Screws (not supplied). **Note: Make sure that the screws and box threads are rated to hold the weight of the fixture. Failure to do so may cause injury or death!**
6. Use the Cable Lag Screw to mount the Safety Cable to the Cross Brace or stud. You may need to drill a clearance hole in the Outlet Box. Note: Safety Cable must be attached to a solid cross brace or stud, as shown, in a manner capable of holding the weight of the fixture. **Failure to do so may cause injury or death!**
7. Connect the fixtures power leads to the power supply wires using appropriate connectors (not supplied) per applicable codes. Make sure that there is enough slack in the wiring so that the fixture can hang from the



- Notes:
1. Outlet Box, Mount Ring Screws, box mounting hardware, and any box gaskets are supplied separately or by others.
 2. Ceiling covering not shown for clarity.

safety cable without stressing the wires. Note: Be sure power/amperage being supplied matches requirements on Label.

- a. Halogen/Integral Driver LED: black, white, green connect to hot (typically black), neutral (typically white), ground (typically green or bare copper), respectively.
 - b. COB LED: red and black connect to positive(+) lead (typically red) and negative(-) lead (typically black) from Vision3 Lighting approved LED driver, respectively.
8. For Integral Driver LED's: Connect the fixtures dimming leads to the dimming control wires using appropriate connectors (not supplied) per applicable codes. The 0-10V(-) control wire (typically gray) should attach to the gray (possibly white) fixture dimming lead. The 0-10V(+) control wire (typically purple) should attach to the fixtures purple (possibly blue) dimming lead. If 0-10V dimming is not being used, each of the fixtures dimming leads should be cut and capped separately (connectors not

Installation Instructions

INSTRUCTIONS PERTAINING TO A RISK OF FIRE, OR INJURY TO PERSONS.

IMPORTANT SAFETY INSTRUCTIONS. SAVE THESE INSTRUCTIONS.

(Failure to follow the warnings and instructions on this sheet could result in fire, injury, failure of product, and/or voiding of warranty.)

supplied). Note: capping the dimming leads together or allowing them to touch ground may prevent the LED from operating normally. Make sure they are capped separately if not being used.

- (MO3 & MO15 mounts only) Using the supplied Mount Screws, and a 5/32" hex wrench, mount the DL4 to the Universal Mounting Ring.
- (MO3 & MO15 mounts only) If the DL4 is not oriented correctly, remove, adjust the Universal Mounting Ring, and re-install.

Integral Driver LED Module Maintenance:

Integral Driver LED Module Replacement:

While the Integral Driver LED Module can be field replaced, it requires complete dis-assembly of the fixture and should only be done for end of life replacement (for changing beam pattern, see 'Changing Integral Driver LED Optics' heading below). Vision3 recommends returning the fixture to the factory for LED Module replacement. Contact Vision3 Lighting for instructions on Integral Driver LED Module replacement, or to arrange for it to be done at the factory if you are not comfortable doing it.

Changing Integral Driver LED Optics:

To change the beam pattern to something other than what the fixture was specified with, the reflector can be replaced with one having a different pattern. These reflectors can be purchased from Vision3 Lighting. To change the reflector:

- Remove Cap as explained in Accessory Maintenance steps 1 thru 4 below.
- Loosen and remove the four Shroud Screws on the LED Module.
- Remove the Shroud and the Reflector from the top of the LED Module.
- Set the new Reflector and Shroud on top of the LED Module. The Reflector and Shroud are keyed so that they may only be installed in certain orientations. Make sure any pins / keys line up with their corresponding holes / depressions on the LED Module. Do not force or you may damage the Reflector, Shroud, or LED module.
- Install and tighten the four Shroud Screws. Do not overtighten.
- Install Cap as explained in Accessory Maintenance steps 11 & 12 below.

Changing Integral Driver LED Output Level:

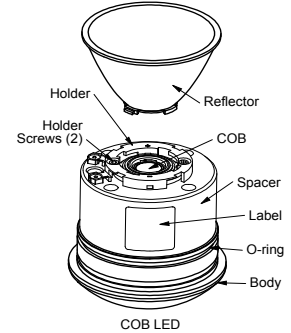
The Integral Driver LED Module comes with an Output Button that allows for selection of 4 different outputs. Output will be set at factory to highest setting, unless otherwise specified when ordered. To change the Integral Driver LED output level:

- Remove power from fixture and let cool before touching. **Caution! Luminaire may still be hot!**
- Loosen the Cap Set Screw using a 3/32" hex tool – **do not remove screw!**
- Remove the Cap. Hold the Body and twist the Cap while removing.
- Inspect O-Ring for damage. Replace if necessary.
- With fixture powered up, hold down the Output Button for about 4 seconds, until the LED blinks once, and release the button. The LED is now in adjustment mode. Note: If LED does not enter adjustment mode properly, or does not adjust once in adjustment mode, check to make sure the 0-10V dimming leads are not connected together or grounded.
- Immediately start pushing the Output Button to cycle thru the different power modes (one button push will advance one power mode). Note: Don't wait too long between button pushes. The LED will revert back to normal mode if the Output Button is not pushed for about 4 seconds.
- When the desired power mode is found, stop pushing the Output Button. After about 4 seconds, the LED will blink twice, indicating that the LED is back in normal mode.
- To continue adjusting the output mode, go back to step 6 and repeat the process.
- Install Cap on fixture by pushing and twisting slowly. If O-Ring is excessively dry, use a small amount of Krytox lubricant.
- Tighten Cap Set Screw with the 3/32" hex tool so that is just bottoms out. **Do not over tighten the Cap Set Screw!** This may cause the fixture to not seal properly.

COB LED Maintenance (for certain models):

Changing COB LED Optics:

- Remove Cap as explained in Accessory Maintenance steps 1 thru 4 below. **Caution!** Pull the cap straight off to avoid breaking the Reflector.
- Twist Reflector counter-clockwise to unlock and remove.
- Insert new Reflector and twist clockwise to lock. If Reflector does not lock, remove, rotate 90°, and try again.
- Install cap as explained in Accessory Maintenance steps 11 & 12 below.

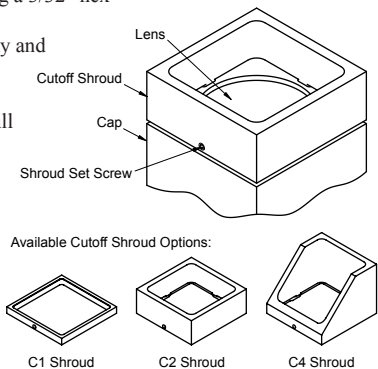


Changing COB LED Chip:

- Remove Cap as explained in Accessory Maintenance steps 1 thru 4 below. **Caution!** Pull the cap straight off to avoid breaking the Reflector.
- Twist Reflector counter-clockwise to unlock and remove.
- Loosen and remove the two Holder Screws and the Holder.
- Note the orientation of the COB and then carefully remove the COB chip. COB may be stuck to the Spacer by the heat transfer grease.
- Thoroughly clean the Spacer with a lint free towel.
- Apply a thin and even layer of new heat transfer grease the size of the COB to the center of the Spacer.
- Place the new COB onto the heat transfer grease in the same orientation as the removed COB. Note: Only touch the edges of the new COB as oils and dirt from your skin can damage the diodes.
- Place the Holder over the COB. Ensure the polarity marks on the Holder match the marks on the COB, the electrical contacts on the Holder touch the pads on the COB, and the COB fits into the square recess on the back of the Holder. Install and tighten the two Holder Screws. Do not overtighten.
- Insert Reflector and twist clockwise to lock. If Reflector does not lock, remove, rotate 90°, and try again.
- Install Cap as explained in Accessory Maintenance steps 11 & 12 below.

Accessory Maintenance:

- Remove power from fixture and let cool before touching. **Caution! Luminaire may still be hot!**
- Loosen the Cap Set Screw using a 3/32" hex tool – **do not remove screw!**
- Remove the Cap. Hold the Body and twist the Cap while removing. **Caution!** When removing the cap from a COB model, pull the cap straight off to avoid breaking the Reflector.
- Inspect O-Ring for damage. Replace if necessary.
- Remove Accessory Clip from Cap.
- Carefully remove Accessories from Cap, if any.
- Inspect Cap, Accessories, and Clip for damage. Replace if necessary.
- Clean Cap and Accessories with a clean, damp cotton cloth.
- Carefully install new Accessories into Cap (up to 3).
- Compress Clip and push into Cap until it holds Accessories tightly in Cap.
- Install Cap on fixture by pushing and twisting slowly. If O-Ring is excessively dry, use a small amount of Krytox lubricant.
- Tighten Cap Set Screw with the 3/32" hex tool so that is just bottoms out. **Do not over tighten the Cap Set Screw!** This may cause the fixture to not seal properly.



Installation Instructions

INSTRUCTIONS PERTAINING TO A RISK OF FIRE, OR INJURY TO PERSONS.

IMPORTANT SAFETY INSTRUCTIONS. SAVE THESE INSTRUCTIONS.

(Failure to follow the warnings and instructions on this sheet could result in fire, injury, failure of product, and/or voiding of warranty.)

Cutoff Shroud Maintenance (square models only):

Square versions of the DL4 come with a Cutoff Shroud that is removable for easy debris removal and lens cleaning, and field interchangeable (alternate shrouds available for purchase separately). For Cutoff Shroud maintenance:

1. Remove power from fixture and let cool before touching. **Caution! Luminaire may still be hot!**
2. Loosen the Shroud Set Screw using a 3/32" hex wrench. Set screw does not need to be fully removed, only loosened enough to free Cutoff Shroud.
3. Remove Cutoff Shroud from Cap.
4. Clean any dirt or debris from the Cap, Cutoff Shroud, and Lens. With Cutoff Shroud removed, the Lens can be easily cleaned with a razor blade.
5. Place the Cutoff Shroud on the Cap so that the Shroud Set Screw is facing the desired side.
6. Making sure that the Cutoff Shroud is fully seated on the Cap, slightly tighten the Shroud Set Screw. Note: Do not overtighten set screw. Tighten just enough to secure the shroud.