

VISION-3 LIGHTING

MR16 / LED Ring Mount **MODEL DL3** 12V 50W Max., MR16 Halogen 12V 8W Max., COB LED w/ Driver

Specifications

Material

Available in machined 6061-T6 aluminum or C36000 brass. All hardware 18-8 stainless steel.

Body

Machined body with cast brass loop allows fixture to be hung from a chain, cable, or hook. (Hanging hardware not included). A molded high temperature silicone wire pass-thru prevents water from entering thru rear of body or around socket leads.

Cap

Machined cap threads onto body to allow tool-less removal of cap, and is sealed to the body with a high temperature silicone O-ring. Accepts up to two internal accessories, held in place by a stainless steel clip.

Finish

TGIC thermo set polyester powder coat paint available in 14 standard colors. On aluminum model, finish is applied over a corrosion resistant, hexavalent chromium free, RoHS compliant coating. Aluminum model available in one additional metal finish: Clear Anodized. Brass model

available in three additional metal finishes: Natural, Polished, and Aged.

Socket

GY-6.35 porcelain socket with 600V, 250°C, PTFE coated 18 ga leads (for MR16 Halogen and MR16 LED options).

Lens

Tempered, clear lens, secured to cap with a high temperature, UV curing, silicone adhesive.

Light Engine⁶

Integral Driver COB LED: COB LED light engine uses industry standard replaceable components for ease of field maintenance and future upgrades and includes features like: field changeable optics (15°, 24°, 36°, 55°, 65°), choice of color temperature (2700K, 3000K, 3500K, 4000K), CRI (80, 90), and an L70 > 40,000 hrs. Includes a field replaceable low voltage driver in three current choices for 400lm, 700lm, or 1000lm nominal light output. Driver features include: 12VAC input (+/- 10%), ELV and MLV phase dimming (contact V3 for dimmer compatibility), high power factor (> 0.9), and internal protection (short

circuit, overload, thermal, auto-reset).

MR16 Halogen: 12V bi-pin up to 50W (allowable wattage depends on model. See **Certification** heading). Lamp supplied by others.

Retrofit MR16 LED: 12V 7.5W (600lm) bi-pin retrofit Soraa™ MR16 LED lamp with specially engineered heat sink mount to ensure proper heat transfer to body. Note: Retrofit LED will overheat without supplied heat sink mount.

Certification

CSA tested & certified to US and Canadian safety standards for wet location use per UL1598.

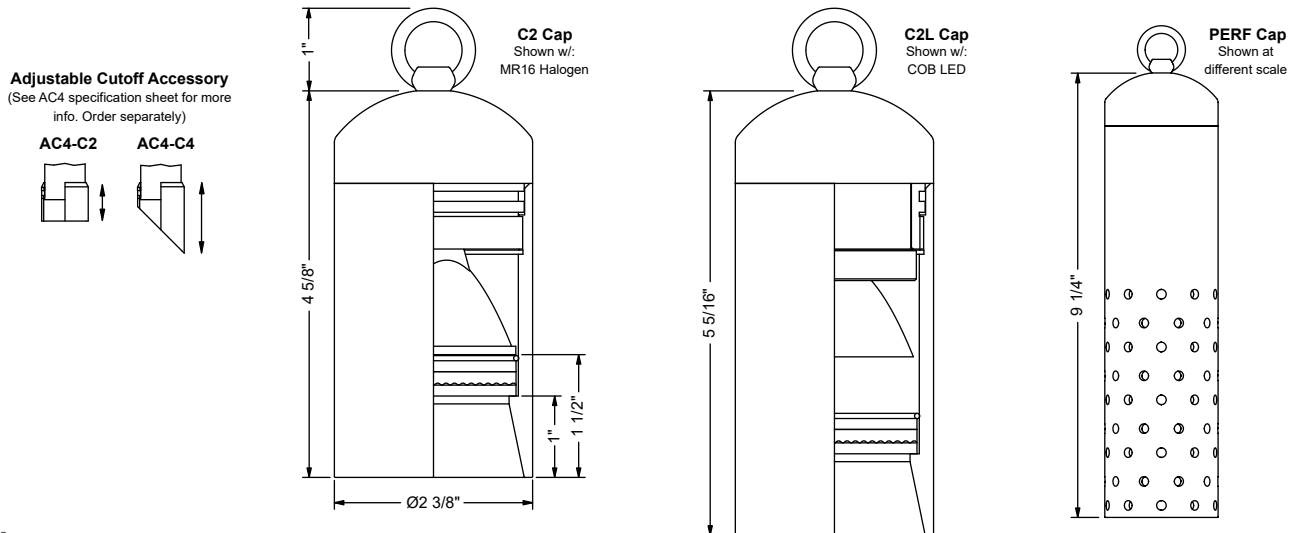
Integral Driver COB LED:

Integral Driver COB LED available in all configurations.

MR16 Halogen:

**DL3A - 50W Max.
DL3B - 35W Max.**

All ratings subject to change without notice. See website or contact V3 for most current info.



Ordering Information

Model	Cap Style	Light Engine ⁶	Lens Accy ³	Louver ³
DL3A - Aluminum DL3B - Brass	C2 - Regress Lens C2L - Regress Lens, Long PERF - Perforated Cap	MR16 Halogen: ¹ 0 - None (lamp by others) Retrofit MR16 LED: ^{2,4} 155 - 7.5W, 600lm, 90CRI, 3000K, 10° 156 - 7.5W, 600lm, 90CRI, 3000K, 25° 157 - 7.5W, 600lm, 90CRI, 3000K, 36° Amber MR16 LED (Turtle Safe): ⁴ AM1 - 5W, 380lm, 85CRI, 30°, Turtle Safe Amber ³	0 - None L1 - Spread L2 - Linear L3 - Softening	0 - None H1 - Hex
Finish				
Powder Coat Finishes:				
BLT - Textured Black	BL - Black			
BNT - Textured Bronze	BN - Bronze			
BAT - Textured Bark	WI - White			
GRT - Textured Green	SI - Silver			
GNT - Textured Granite	GY - Grey			
SAT - Textured Sand	BE - Beige			
PAT - Textured Patina				
EAT - Textured Earth				
Metal Finishes:				
CLA - Clear Anodized (DL3A only)				
NAT - Natural (DL3B only)				
POL - Polished (DL3B only)				
AGE - Aged (DL3B only)				
		Integral Driver COB LED: ^{4,5} LE2 - XXXX - X - XX - XX		
		Lumen Output	CRI	CCT
		0400 - 4W, 400lm	8 - >80	27 - 2700K
		0700 - 8W, 700lm	9 - >90	15 - 15° 55 - 55°
		1000 - 8W, 1000lm		30 - 3000K 24 - 24° 65 - 65°
				35 - 3500K 36 - 36°
				40 - 4000K

Notes:

- Allowable wattage depends on model and application. See **Certification** heading above.
- Use only approved 7.5W Retrofit MR16 LED lamps and supplied heat sink mount, otherwise LED may overheat.
- AM1 Turtle Safe Amber LED can only be specified with 1 lens accessory.
- Only power LED Light Engine options with approved transformers (contact V3 for mount, transformer, and dimmer compatibility info).
- Integral Driver COB LED Light Engine options do not require a separately specified remote driver. See specifications above for required voltage input.
- All lumen values cited are nominal lumen output (ideal lumen output of light engine only in lab conditions). Actual fixture output will vary with cap type, material, lens/optics options, and environmental conditions. For more accurate information, see fixture photometry files on website.
- Specifications, certifications, and ordering information are subject to change. Please check website for latest specification sheets.

Example: **DL3B - POL - C2 - LE2-0700-8-27-55 - 0 - H1**