

VISION-3

LIGHTING

Surface Mount Ballast Canopy **MODEL BM7** 120 Volt, 20 Watt Max.

Specifications:

Canopy Base: Canopy Base made from cast 356 aluminum or cast C84400 bronze. Bronze models available with as-cast or machined finish. Hole pattern allows for mounting to the wall as a surface mount ballast box (base mounting hardware not included).

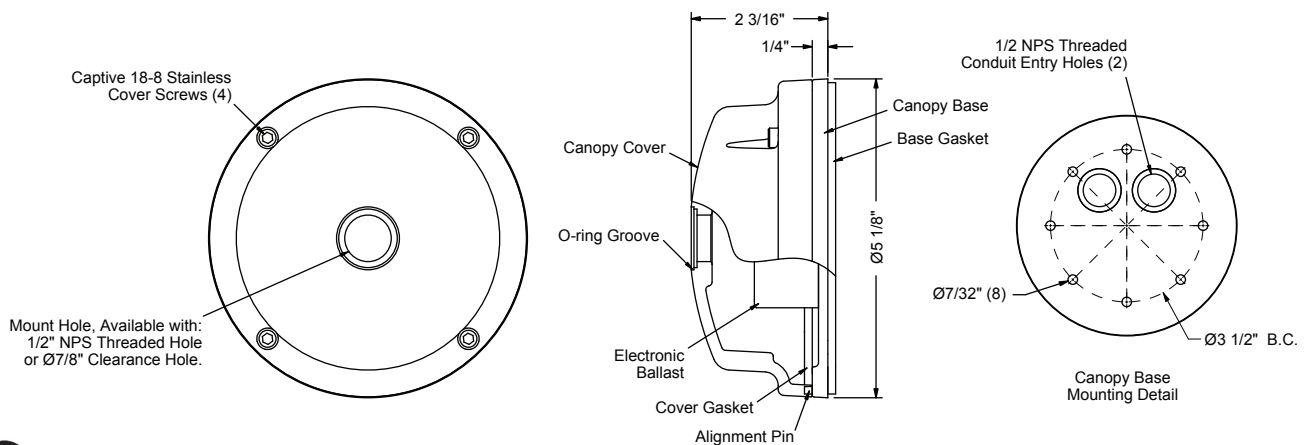
Canopy Cover: Thick walled cast 356 aluminum or cast C84400 bronze canopy cover prevents deflection and 'sag' of mounted fixtures. Bronze models available with as-cast or machined finish. Non-threaded mounting hole option allows for versatility, while the threaded mounting hole option can be used for maximum strength (threaded mount hole option requires the use of a fixture with the 'Rotate and Lock Knuckle'). Canopy cover mounts to the canopy base with four 18-8 stainless steel captive screws, which are retained by the cover. Captive screws prevent loss of screws, and provides for safe and easy installation. Captive screw heads are sized the same as the knuckle adjustment screws on Vision3 Lighting flood fixtures, requiring only one tool for installation and adjustment. Alignment pins orient the canopy cover with the canopy base, simplifying installation by ensuring that the cover screws are always lined up properly.

Seals: O-ring groove on canopy cover allows for use of an O-ring to prevent leaking between canopy cover and fixture knuckle. (All Vision3 flood fixtures come with a high temperature, black Viton O-ring on the knuckle for this purpose). High temperature foam silicone gaskets prevent leaking between the canopy cover, canopy base, and mounting surface. (Canopy base gasket may not work properly if mounting surface is too rough).

Electronic Ballast: 50/60 Hz 120 Volt input, high power factor, thermally protected electronic metal halide ballast. Minimum ballast temperature: -15°C.

Finish: TGIC thermo set polyester powder coat paint available in 14 standard colors. On aluminum model, finish is applied over a corrosion resistant, hexavalent chromium free, RoHS compliant coating. Aluminum model available in one additional metal finish: Clear Anodized. Bronze model available in three additional metal finishes: Natural, Polished, and Aged (Cast finish bronze not available in Polished finish).

Certification: CSA tested & certified to US and Canadian safety standards for wet location wall mount use per UL1598 & CSA C22.2 No. 250.0-08. Note: not rated or suitable for ceiling mount use.



Ordering Information:

Fixture Catalog String ^{1,2}	Model ⁴	Finish	Mount Hole	Ballast Type ³	Wattage ³	Voltage
	BM7A - Aluminum BM7B - Bronze (Machined Finish) BM7C - Bronze (Cast Finish)	BL - Black BLT - Textured Black BN - Bronze BNT - Textured Bronze BAT - Textured Bark WI - White GRT - Textured Green SI - Silver GY - Grey BE - Beige GNT - Textured Granite SAT - Textured Sand PAT - Textured Patina EAT - Textured Earth CLA - Clear Anodized (BM7A only) NAT - Natural (BM7B & BM7C only) POL - Polished (BM7B only) AGE - Aged (BM7B & BM7C only)	S0 - Single Threaded Mount Hole S1 - Single Non-Threaded Mount	E-MH - Electronic Metal Halide Ballast	20 - 20 Watts 120 - 120 Watts	120 - 120 Volts

Notes:

- Ballast must be specified with an approved Vision3 Lighting metal halide fixture.
- See fixture submittal for specifications, limitations, and correct catalog number logic.
- Ballast type and wattage must match fixture lamp type and wattage.
- For a better looking installation, match the model to the fixture it is being used with. Use BM7A with cast or machined aluminum fixtures. Use BM7B with machined finish brass/bronze fixtures. Use BM7C with cast finish bronze fixtures.
- Specifications, certifications, and ordering information are subject to change. Please check website for latest specification sheets.

Example: Fixture Catalog String - **BM7A - BNT - S0 - E-MH - 20 - 120**