

VISION-3 LIGHTING

In Grade Remote Ballast **MODEL BM3** 120/208/240/277 Volt, 150 Watt Max.

Specifications:

Housing: Ballast housing, ballast compartment cover, and wiring compartment cover made from cast C84400 bronze and assembled with 18-8 stainless steel hardware.

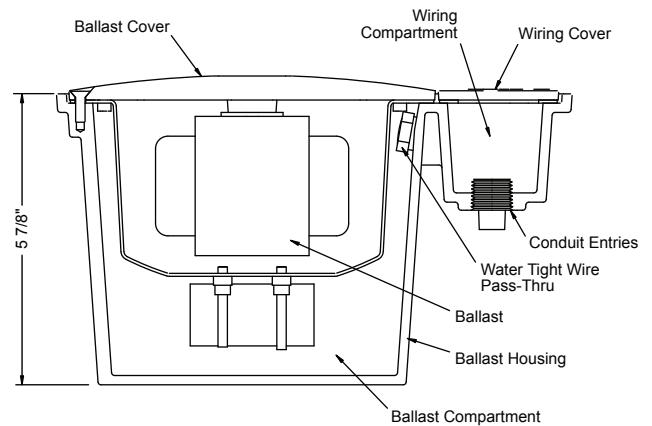
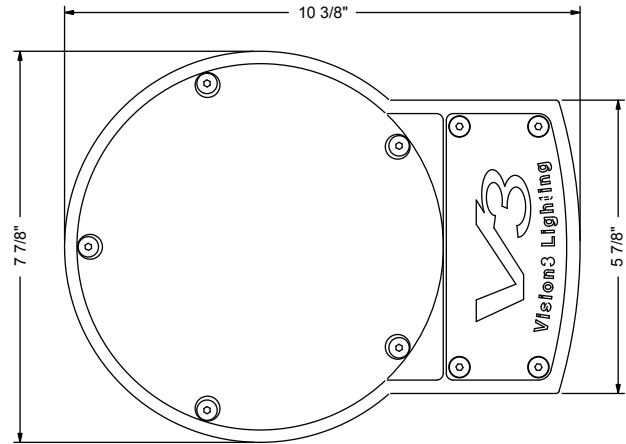
Seals: Ballast cover and wiring cover use self-adhesive, high temperature, silicone gaskets to prevent leaking. Water tight pass-thru's create a wire passage that does not allow water to enter the ballast compartment in the event of the wiring compartment becoming flooded.

Electrical: Ballast housing is cast with two 3/4" NPT and one 1/2" NPT conduit entries on the bottom of the wiring compartment for conduit connection, cable entry, wiring to fixture, and feed through wiring. (Conduit, cable, and plugs for unused entries not included.)

Ballast: 60 Hz input, high power factor, magnetic metal halide ballast available in 39W, 70W, 100W, or 150W. Multi-tap (120V, 208V, 240V, 277V) input. Minimum lamp starting temperature: -30°C. Maximum remote distance: 50 feet.

Finish: TGIC thermo-set polyester powder coat paint available in 14 standard colors. Also available in two bronze metal finishes: Natural and Aged.

Certification: CSA tested & certified to US and Canadian safety standards for wet location landscape use per UL1598 & CSA C22.2 No. 250-08.



Ordering Information:

| Fixture Catalog String ^{1,2} | BM3 | Model | Finish | M-MH | Ballast Type ³ | Wattage ³ | Voltage | LR | Ignitor |
|---------------------------------------|-----|-------|------------------------|------|------------------------------|----------------------|-----------------|----|-----------------|
| | | | BL - Black | | M-MH - Magnetic Metal Halide | 39 - 39 Watts | 120 - 120 Volts | | LR - Long Range |
| | | | BLT - Textured Black | | | 70 - 70 Watts | 208 - 208 Volts | | |
| | | | BN - Bronze | | | 100 - 100 Watts | 240 - 240 Volts | | |
| | | | BNT - Textured Bronze | | | 150 - 150 Watts | 277 - 277 Volts | | |
| | | | BAT - Textured Bark | | | | | | |
| | | | WI - White | | | | | | |
| | | | GRT - Textured Green | | | | | | |
| | | | SI - Silver | | | | | | |
| | | | GY - Grey | | | | | | |
| | | | BE - Beige | | | | | | |
| | | | GNT - Textured Granite | | | | | | |
| | | | SAT - Textured Sand | | | | | | |
| | | | PAT - Textured Patina | | | | | | |
| | | | EAT - Textured Earth | | | | | | |
| | | | NAT - Natural | | | | | | |
| | | | AGE - Aged | | | | | | |

Notes:

- Ballast must be specified with an approved Vision3 Lighting metal halide fixture.
- See fixture submittal for specifications, limitations, and correct catalog number logic.
- Ballast type and wattage must match fixture lamp type
- Specifications, certifications, and ordering information are subject to change. Please check website for latest specification sheets.

Example: *Fixture Catalog String* - **BM3 - EAT - M-MH - 70 - 277 - LR**